



深圳市科弗特实业有限公司  
KOFORD DEVELOPMENT CO.,LIMITED

1-2/F., Bldg. B, Zhancheng Industrial Park, No. 135 Fuyuan 1st Rd.,  
Fuhai Str., Bao'an Dist., 518103 Shenzhen, China

86-755-3669 8077

86-755-3669 8177

sales@kf-ind.com



www.kf-ind.com  
www.szkofoford.com

KOFORD DEVELOPMENT CO.,LIMITED

www.kf-ind.com / www.szkofoford.com

深圳市科弗特实业有限公司

Some of the products shown in this catalogue may be available at the time of order, please contact us for any specific requests information products and their characteristics may be updated to take into account ongoing production improvements.

**2023-2024 Edition**

Pro- A / V Mounts and Stands



# COMPANY PROFILE

Koford is a professional company engaged in development, production and sales of TV mounting system, computer & monitor stand. Since its establishment 8 years ago, our products are mainly exported to European and American markets. Our customers include specialized online e-commerce providers and offline distribution traditional customers. The company has the worksite of 3000 square meters and an independent metal workshop and 2 assembly lines. At present, it has 50 employees. We attended exhibitions in Hong Kong and overseas every year.

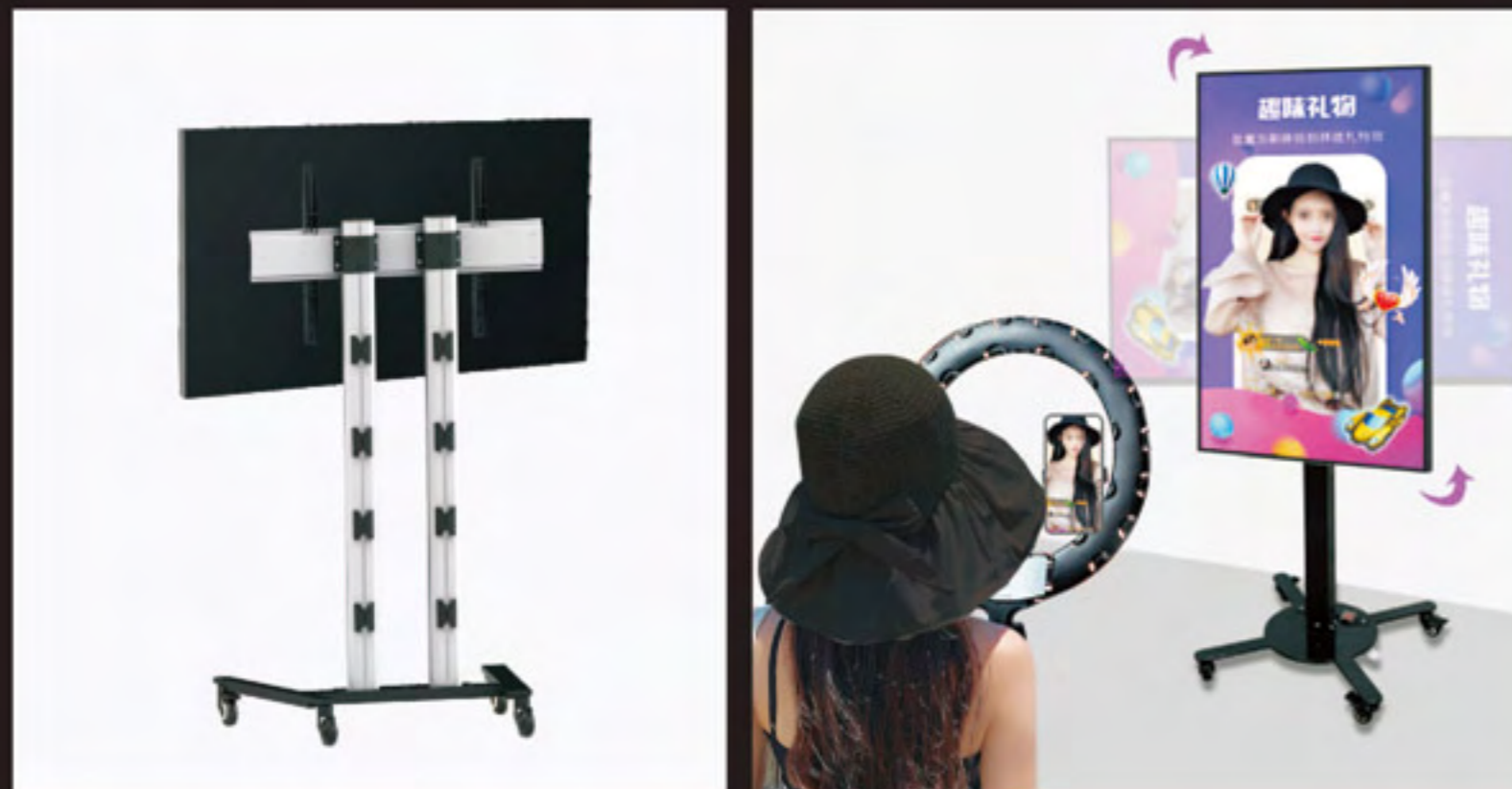
Koford, a Chinese company & factory, has been specialized in LCD / Plasma Mount / stand & Computer accessories Supplies. Concentrating on offering products with unique design and high quality to fulfill the most update market trend. Koford aims at developing new products in wide range evenly each year trying to offer a complete solution to meet the needs of worldwide customers. Besides, koford is strong in doing OEM & ODM businesses, Feel free to contact our sales team at [sales@kf-ind.com](mailto:sales@kf-ind.com) to get more information about our products or any query you may have.



## CONTENTS

### Mounts & Stands for Flat TV Screens

TV Wall Mount	01-08	Video Conference Mount & Stand	29-38
TV Wall Mount Heavy Duty	09-12	Alu. Pillar TV Floor Stand	39-66
Push Video Wall Mount	13-14	Metal Pillar TV Floor Stand	67-79
Menuboard Video Wall Mount	15-20	Motorized TV Floor Stand	80-84
Ceiling Mount	21-26	Video Wall Stand	85-98
Koisk Stand	27-28	Optional Parts	99-104





## TV Wall Mount



- Wall-mounted installation offers elegance and flexibility

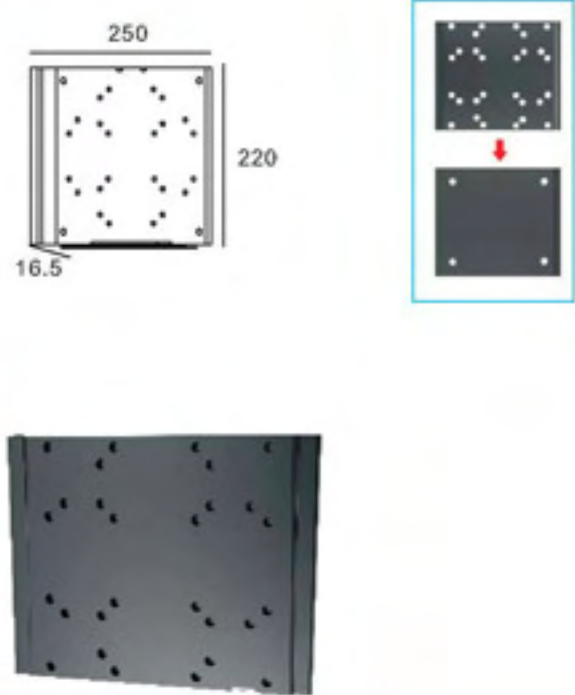


## TV Wall Mount

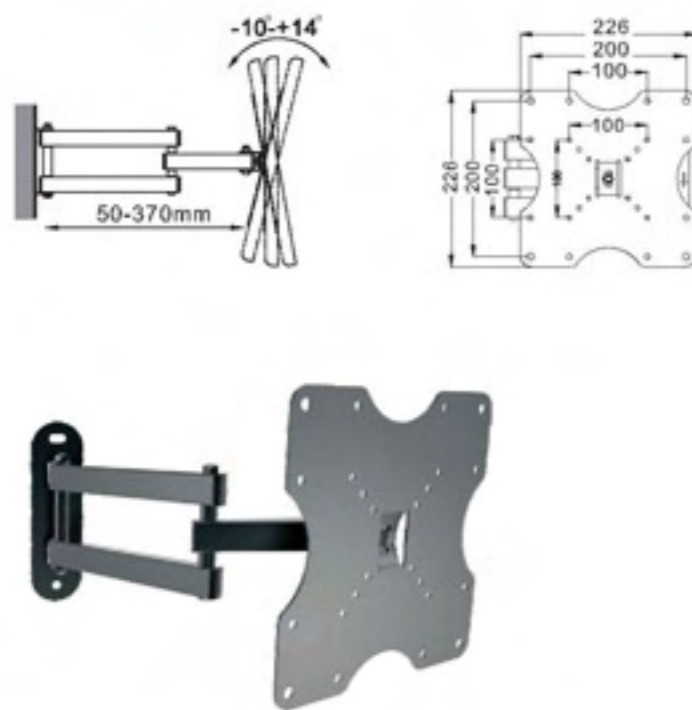


- It is an economical TV rotary rack, saving more space. The display screen can easily tilt and rotate to meet the needs of users. Ensure that the screen image is clear, flicker free, stable, glare free and reflective.

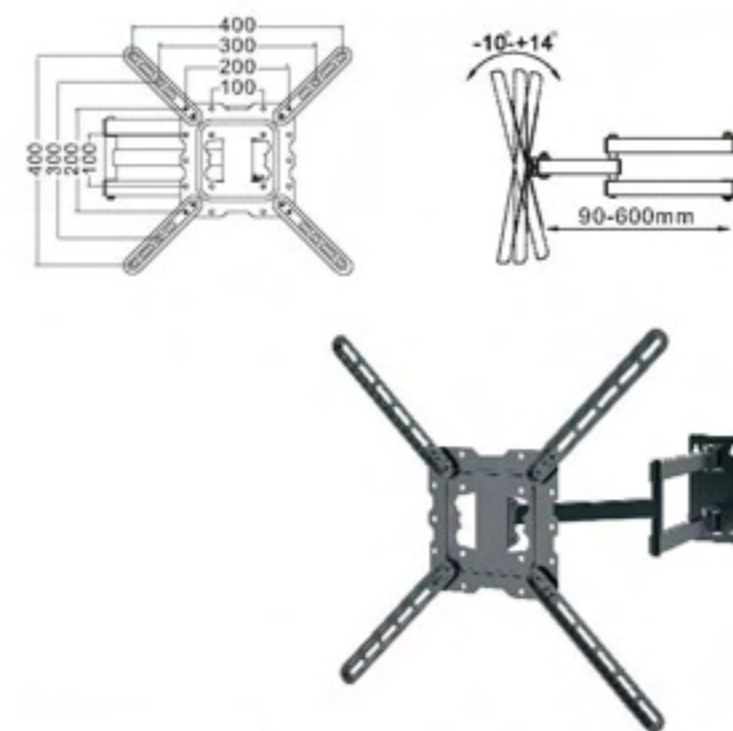
### LCD 2000 14-32"



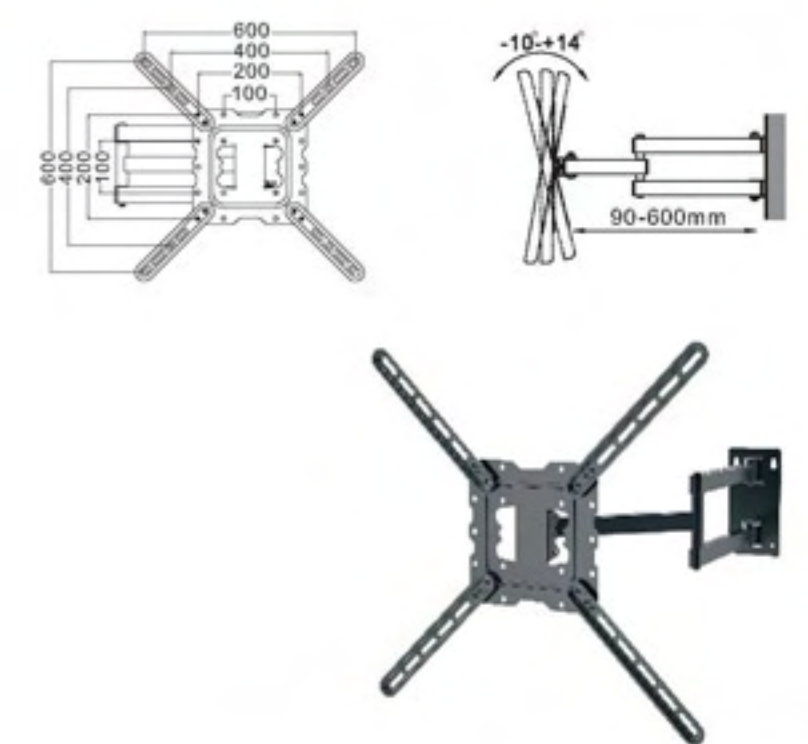
### LCD 2002 14-32"



### LCD 2004 32-55"



### LCD 2006 37-70"



Model	Color	Material	Suggest Size	Loading Capacity	VESA Standard	Tilt	Profile
LCD 2000	Black or Silver	SPCC	14-32"	25kgs	Max.200*200	0°	16.5mm
LCD 2002						-10° +14°	50mm

Model	Color	Material	Suggest Size	Loading Capacity	VESA Standard	Tilt	Profile
LCD 2004	Black or Silver	SPCC	32-55"	35kgs	Max.400*400	-10° +14°	90mm
LCD 2006							



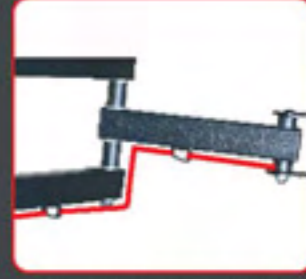
## TV Wall Mount

Tilt and keep at any position

- VESA 75\*75,100\*100
- Load 15kg/33lbs



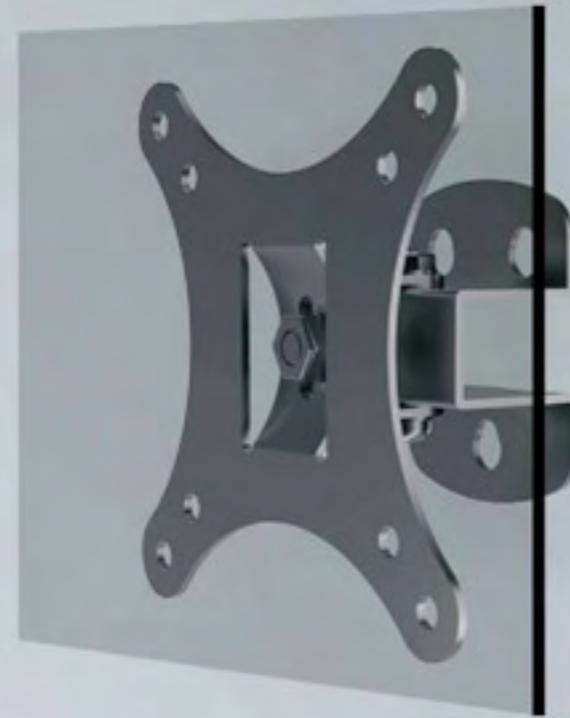
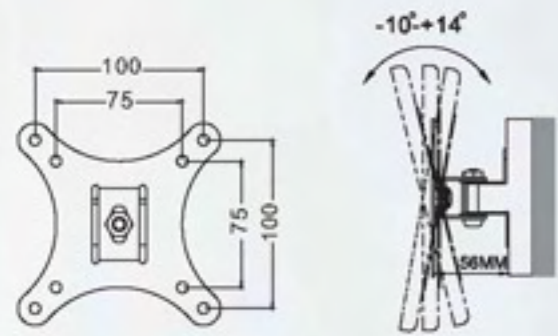
Tilt



Cable Management

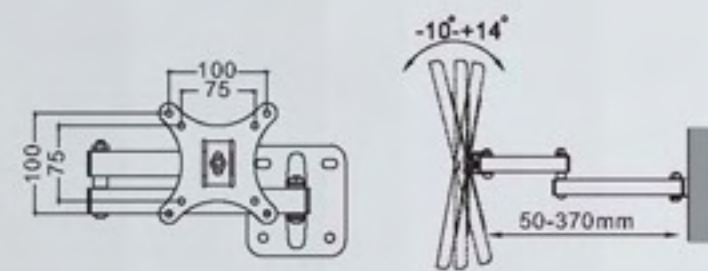


## TV Tilt Wall Mount LCD 2010



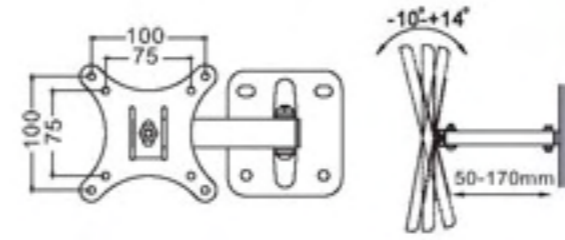
## TV Articulating Wall Mount LCD 2012

LCD 2012



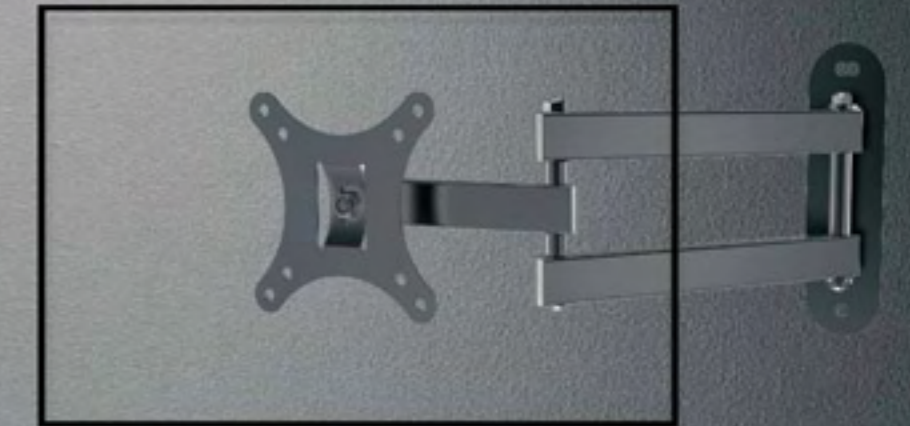
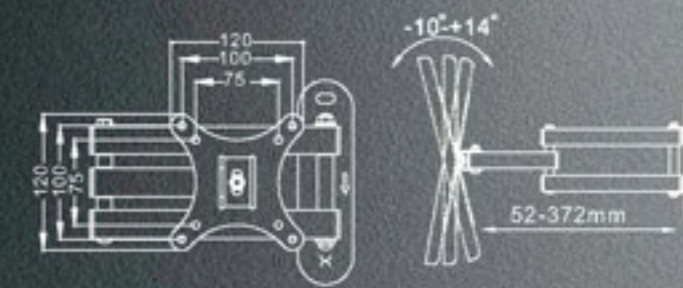
## TV Wall Mount

### LCD 2011 10-24"



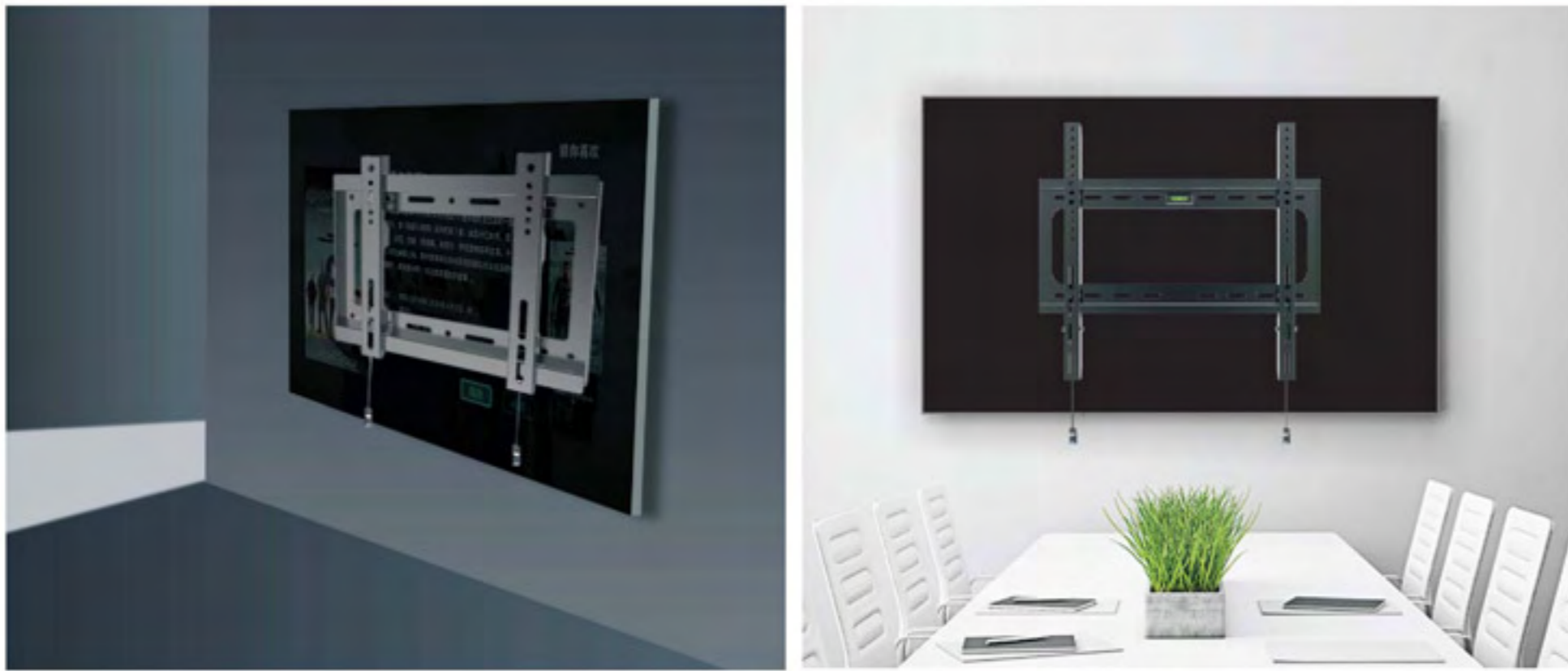
## TV Articulating Wall Mount

### LCD 2013 10-24"

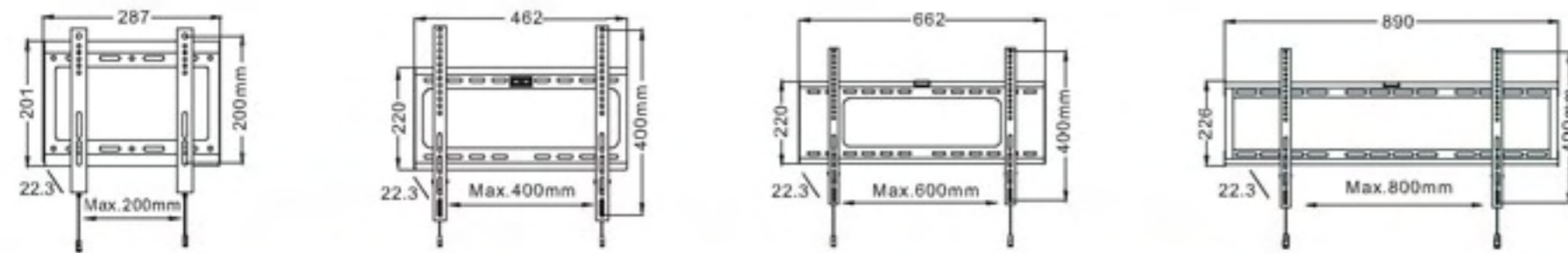


Model	Color	Material	Suggest Size	Loading Capacity	VESA Standard	Tilt	Profile
LCD 2010	Black or Silver	SPCC	10-24"	15kgs	Max.100*100	-10° --+14°	56mm
LCD 2011							50mm
LCD 2012							50mm
LCD 2013							52mm

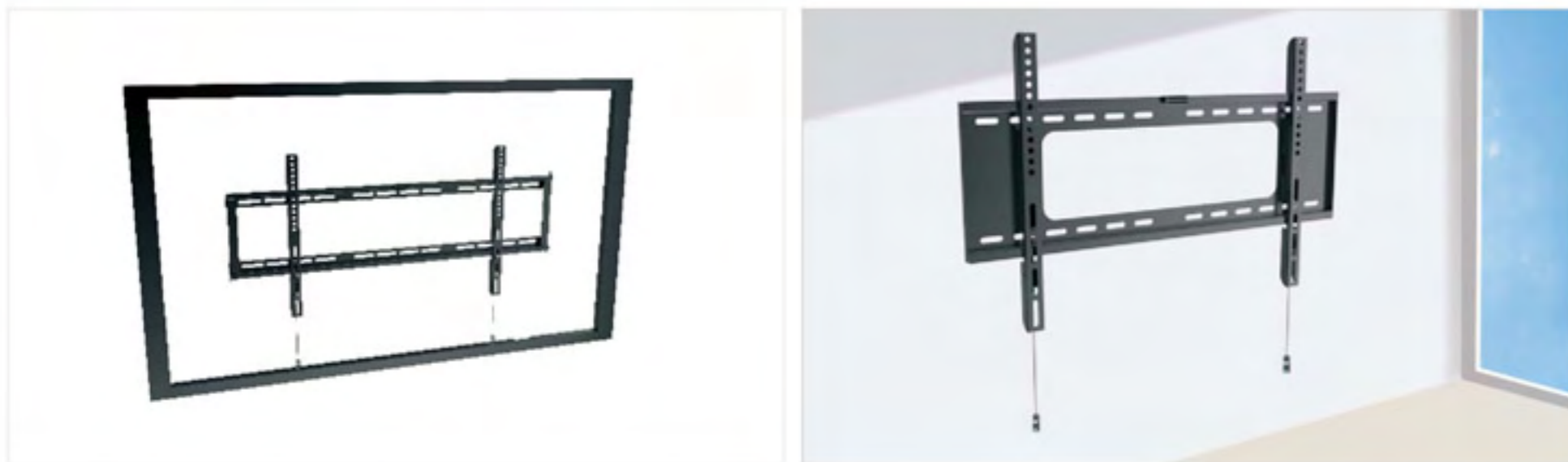




Stable wall hanging, strong load, double hook can move around, adjust the distance, adapt to more TV size, side anti-slip design, adjust the size, effectively stable TV, convenient and practical, thick and beautiful, wall combination, design every detail.



PL 5020S | PL 5020M | PL 5020L | PL 5020XL



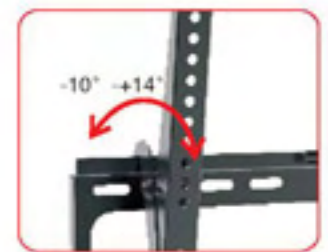
Model	Color	Material	Suggest Size	Loading Capacity	VESA Standard	Tilt	Profile
PL 5020S	Black or Silver	SPCC	14-32"	25kgs	Max.200*200	0°	22.3mm
PL 5020M			32-55"	35kgs	Max.400*400		
PL 5020L			37-70"	45kgs	Max.600*400		
PL 5020XL			42-70"	60kgs	Max.800*400		



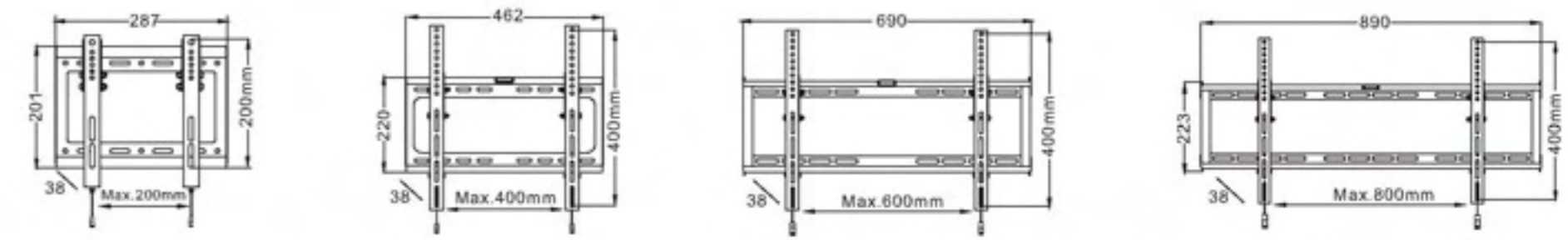
Bubble Level



Wire Locking System With Magnet



Tilt



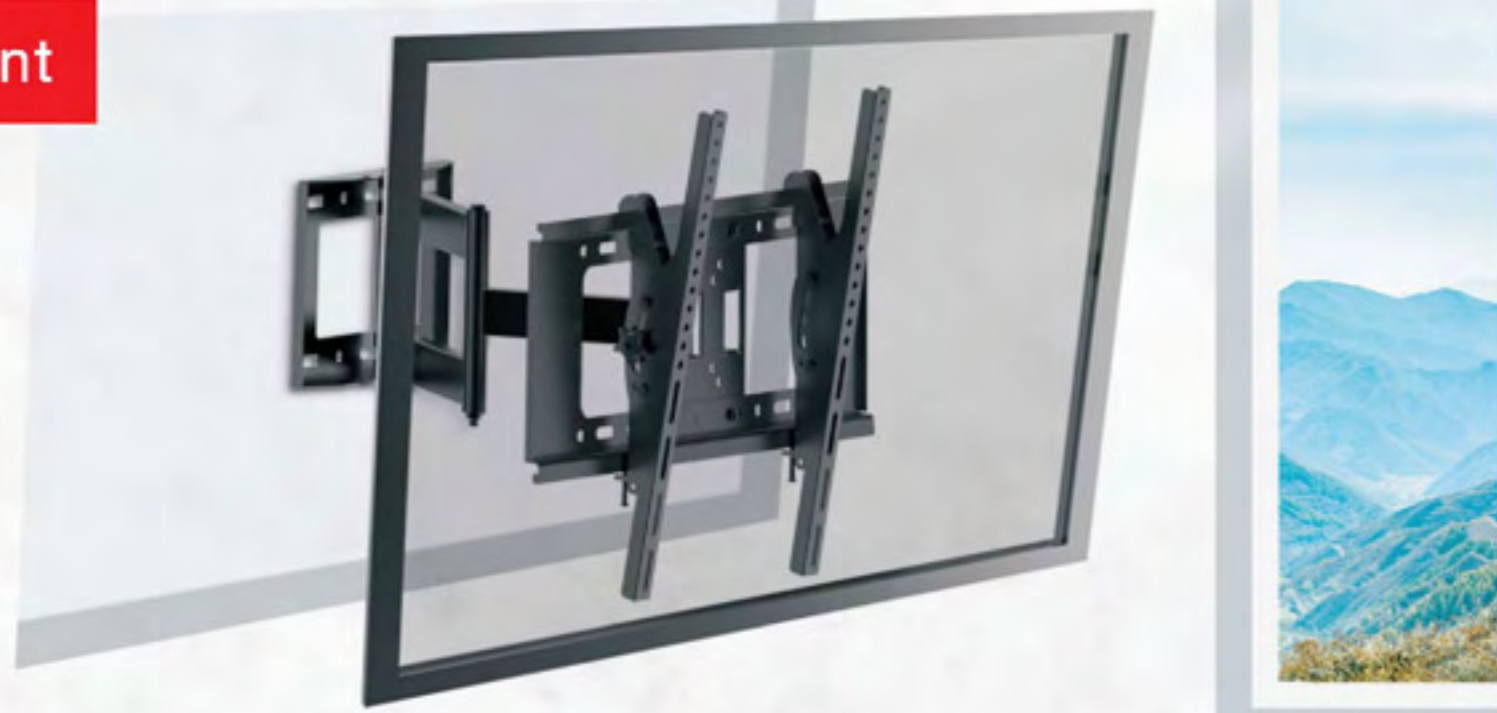
PL 5030S | PL 5030M | PL 5030L | PL 5030XL



Model	Color	Material	Suggest Size	Loading Capacity	VESA Standard	Tilt	Profile
PL 5030S	Black or Silver	SPCC	14-32"	25kgs	Max.200*200	-10° +14°	38mm
PL 5030M			32-55"	35kgs	Max.400*400		
PL 5030L			37-70"	45kgs	Max.600*400		
PL 5030XL			42-70"	60kgs	Max.800*400		



# TV Wall Mount

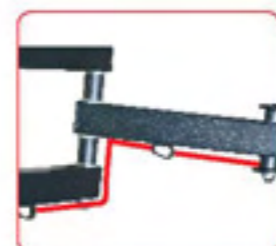


## HIGH STRENGTH AXIS OF ROTATION

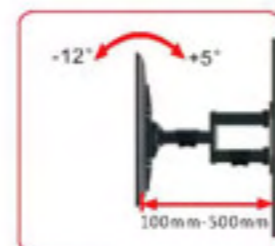
Rotate Left and Right • Stretch Back and Forth



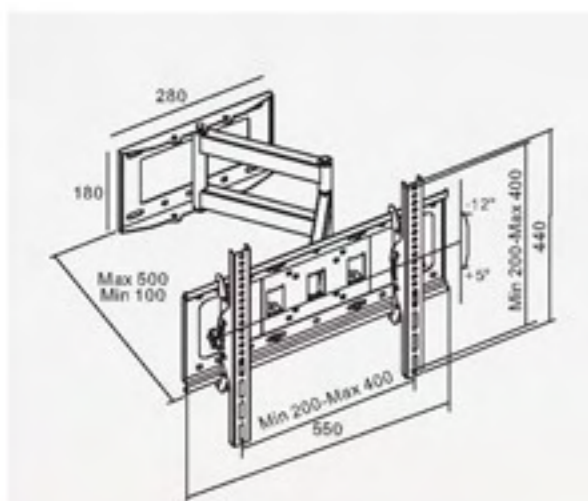
Screw Locking



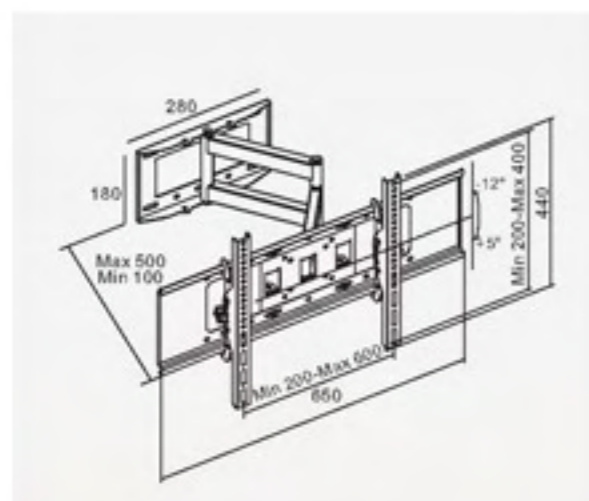
Cable Management



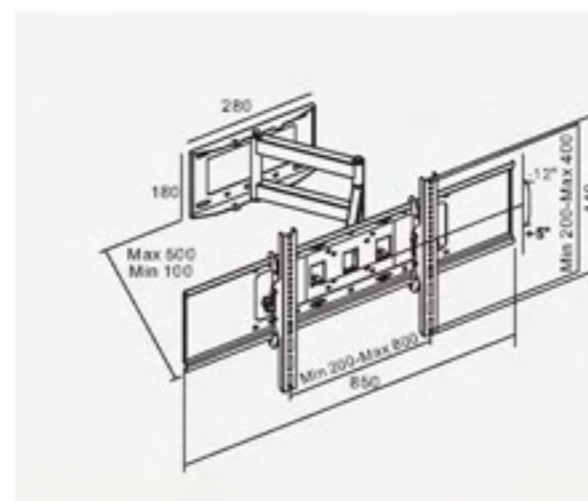
Tilt and Stretch Range



PL 5040M



PL 5040L



PL 5040XL

Model	Color	Material	Suggest Size	Loading Capacity	VESA Standard	Tilt	Profile
PL 5040M	Black or Silver	SPCC	32-55"	35kgs	Max.400*400	-12° -+5°	100mm
PL 5040L			37-70"	45kgs	Max.600*400		
PL 5040XL			42-70"	60kgs	Max.800*400		

# TV Wall Mount

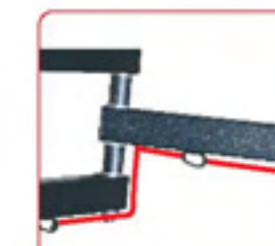


## SIX-ARM TV RACK

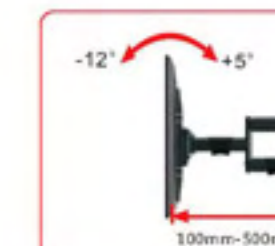
After 300,000 Pre-and Post-tensile Tests, the Factor Of Safety Improved Significantly



Screw Locking



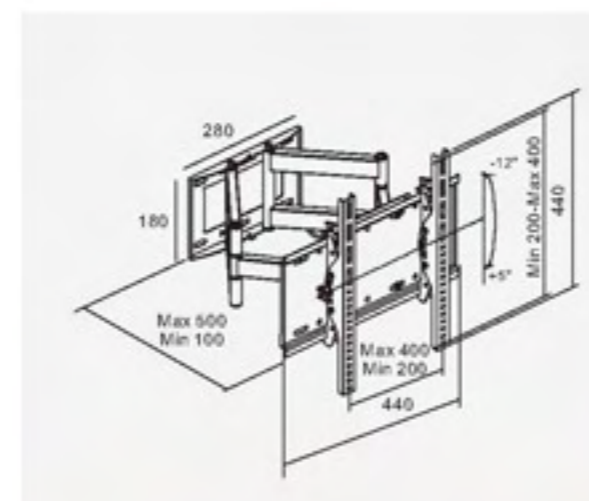
Cable Management



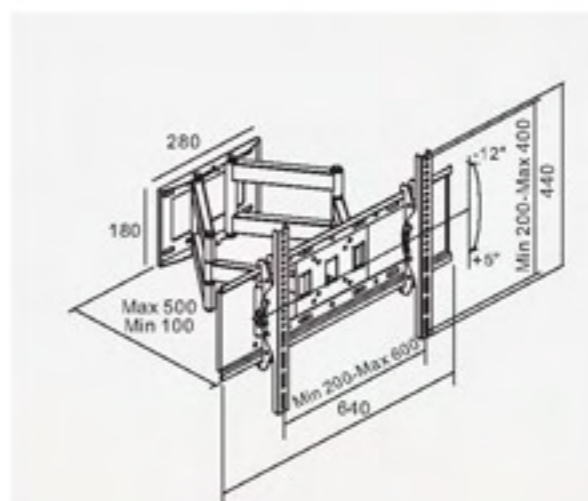
Tilt and Stretch Range



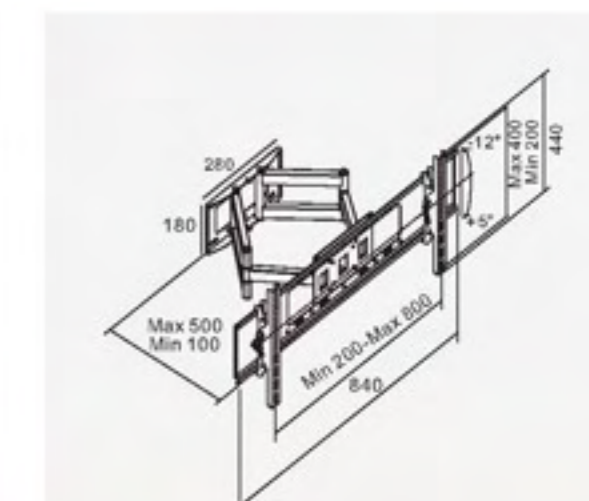
Canilever



PL 5050M



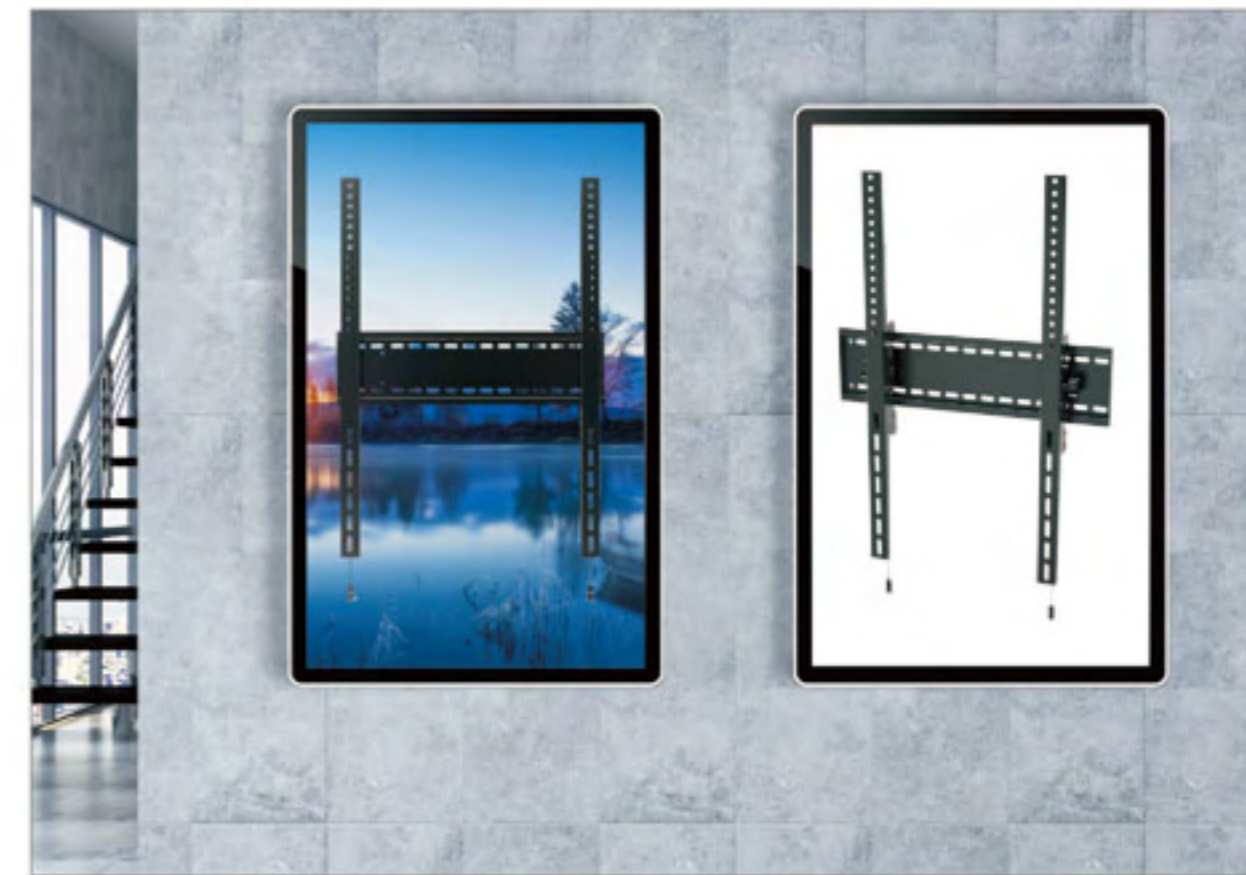
PL 5050L



PL 5050XL

Model	Color	Material	Suggest Size	Loading Capacity	VESA Standard	Tilt	Profile
PL 5050M	Black or Silver	SPCC	32-55"	35kgs	Max.400*400	-12° -+5°	100mm
PL 5050L			37-70"	45kgs	Max.600*400		
PL 5050XL			42-70"	60kgs	Max.800*400		





Fine Tune Adjustment for Screen Level



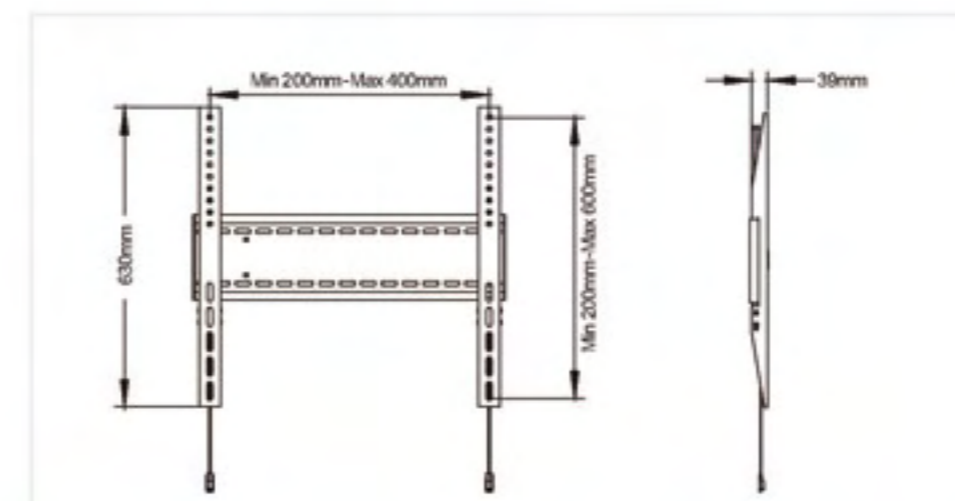
Wire Locking System With Magnet



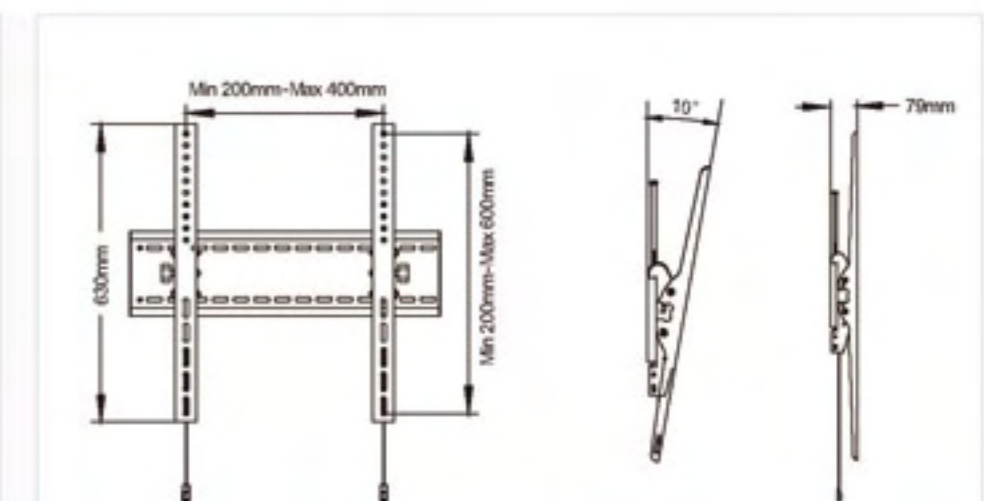
Padlock Optional



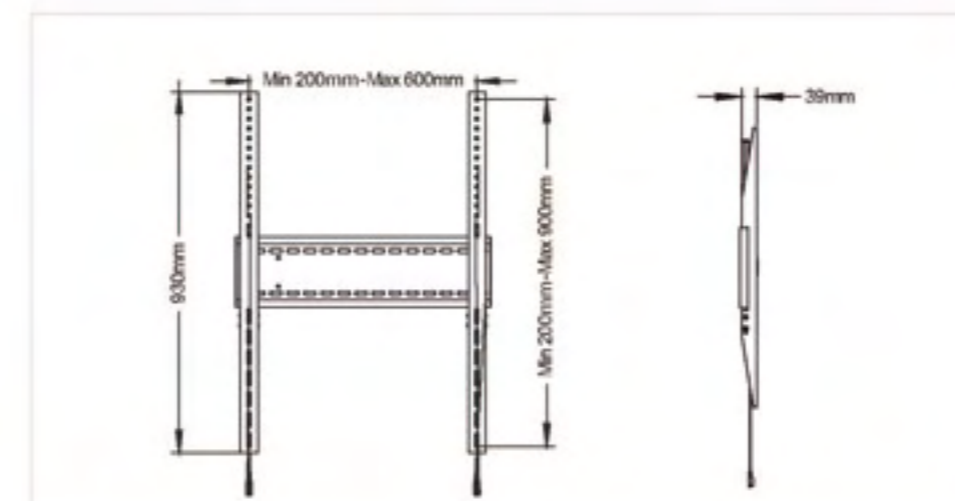
Easy Tilt



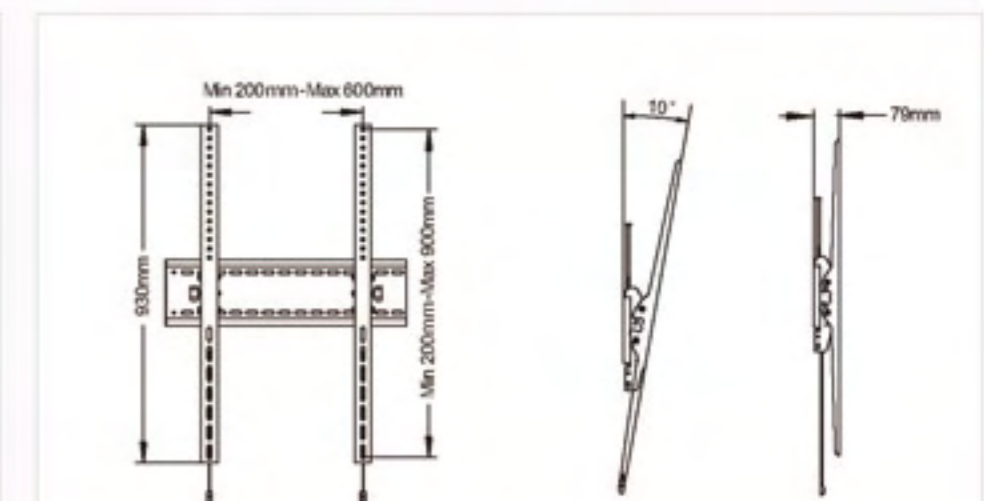
TVM 400



TVM 400A



TVM 800



TVM 800A

Model	Color	Material	Suggest Size	Loading Capacity	VESA Standard	Tilt	Profile
TVM 400	Black or Silver	2.5mm SPCC	30-60"	125kgs	Max.400*600 Portrait	0°	39mm
TVM 400A						10°	79mm
TVM 800			70-110"		Max.600*900 Portrait	0°	39mm
TVM 800A						10°	79mm





Fine Tune Adjustment for Screen Level



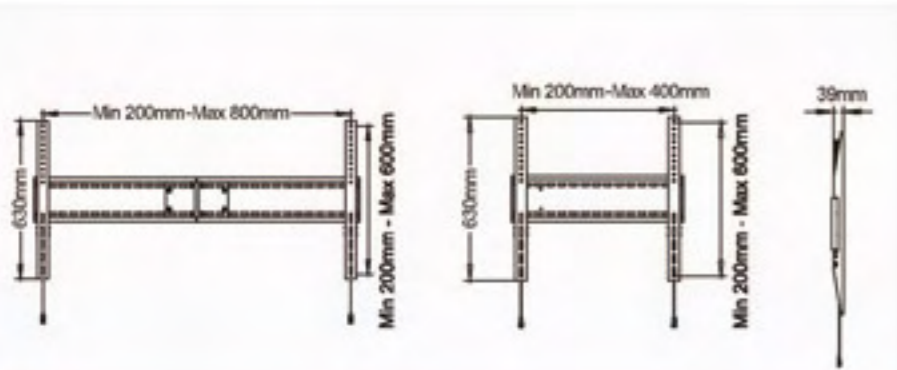
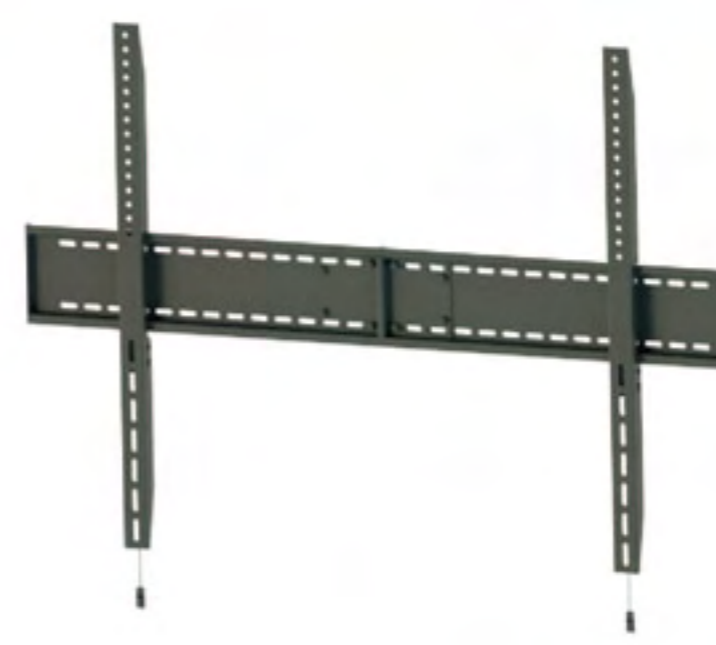
Wire Locking System With Magnet



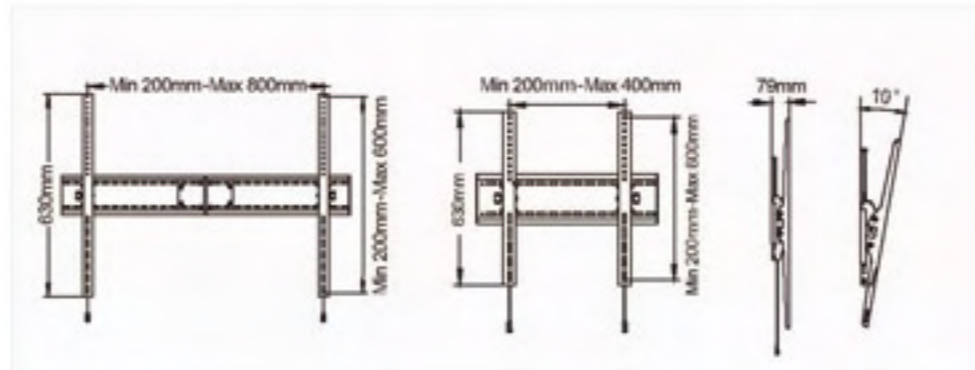
Padlock Optional



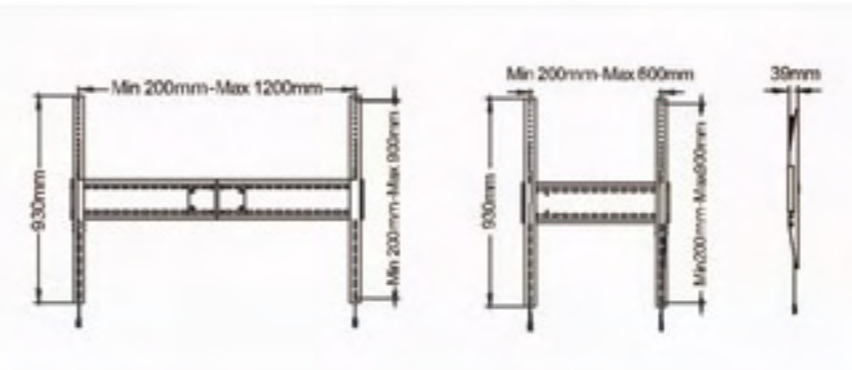
Easy Tilt



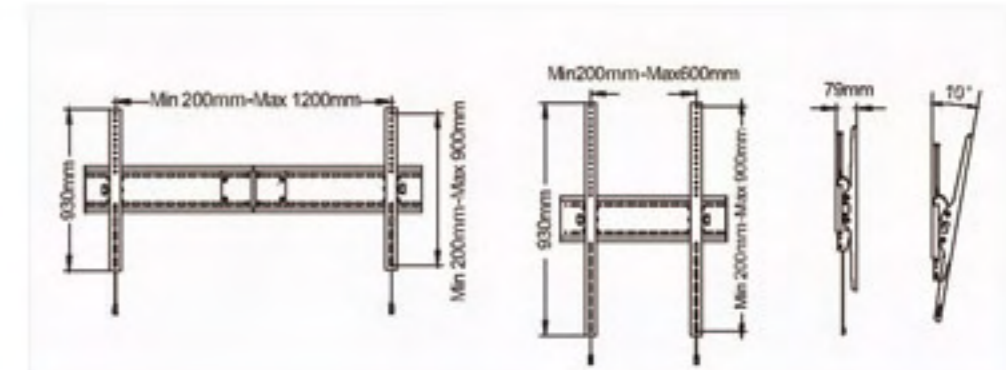
TVM 600



TVM 600A

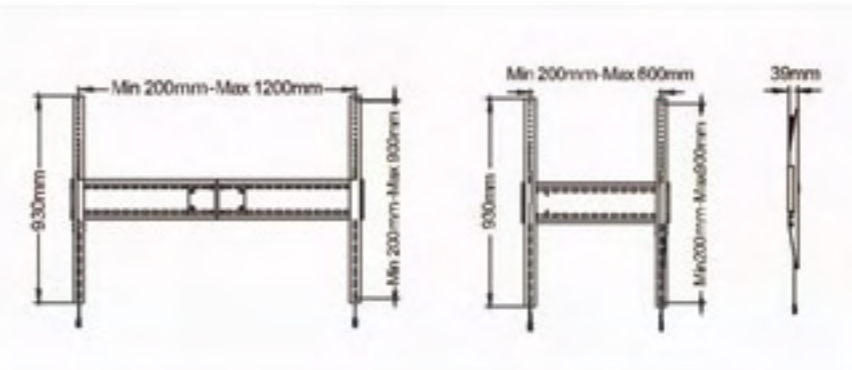
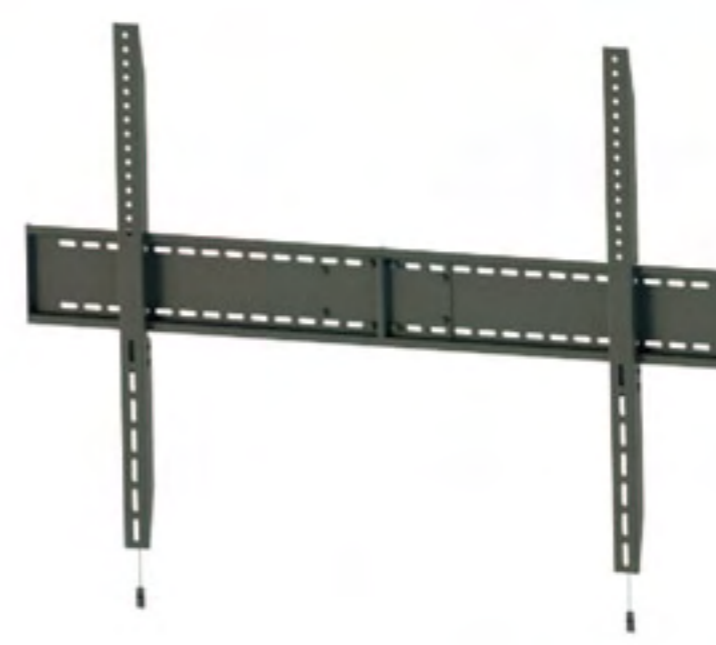


TVM 900

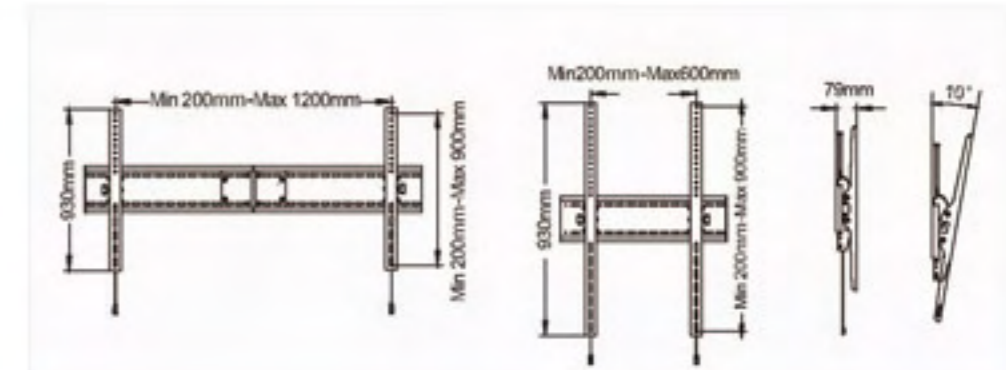


TVM 900A

Model	Color	Material	Suggest Size	Loading Capacity	VESA Standard	Tilt	Profile
TVM 600	Black or Silver	2.5mm SPCC	70-110"	125kgs	Max.800*600 Landscape Max.400*600 Portrait	0°	39mm
TVM 600A						10°	79mm



TVM 900



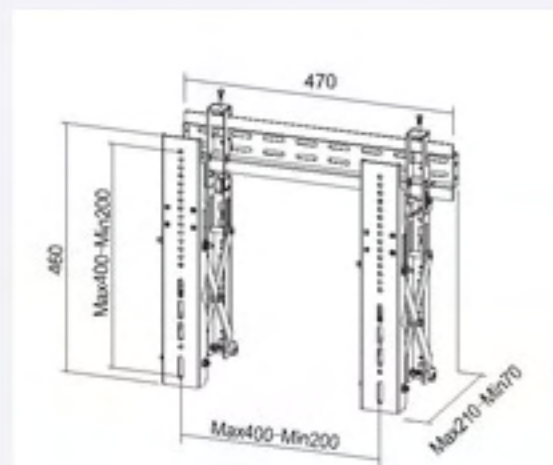
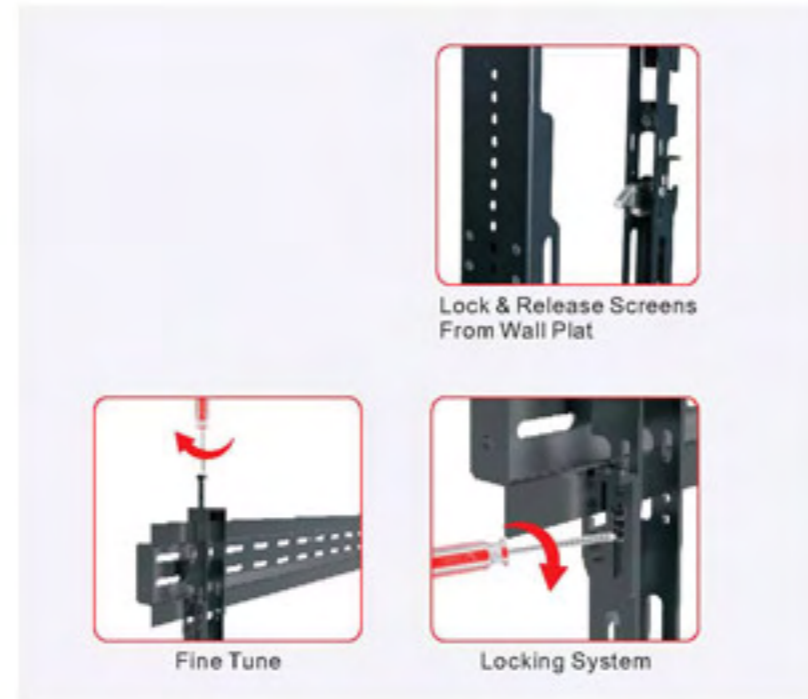
TVM 900A

Model	Color	Material	Suggest Size	Loading Capacity	VESA Standard	Tilt	Profile
TVM 900	Black or Silver	2.5mm SPCC	70-110"	125kgs	Max.1200*900 Landscape Max.600*900 Portrait	0°	39mm
TVM 900A						10°	79mm

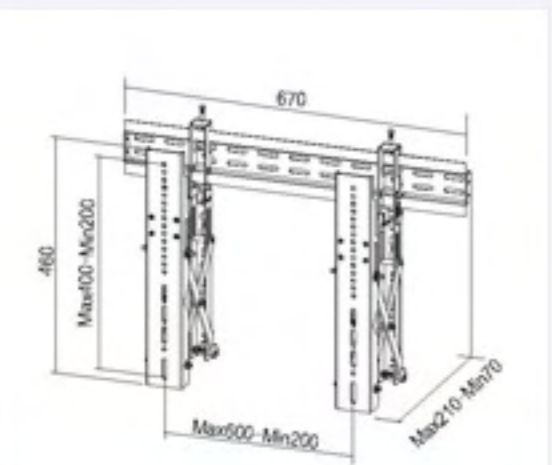


# PUSH VIDEO MOUNT

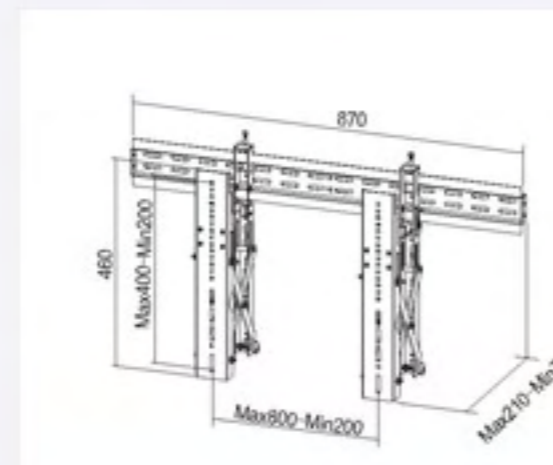
Multi-screen Splicing



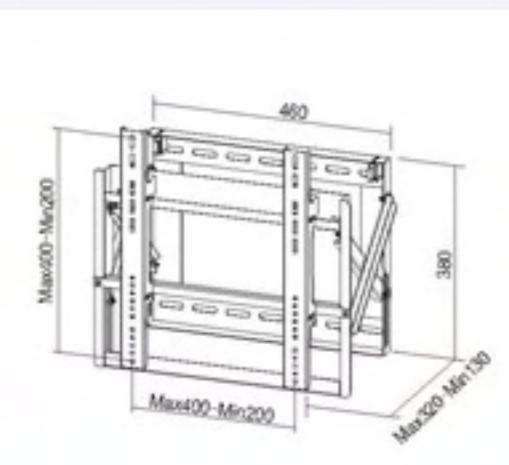
WMP 400S



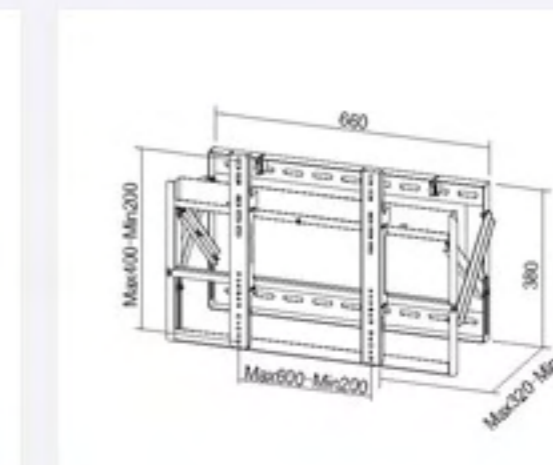
WMP 600S



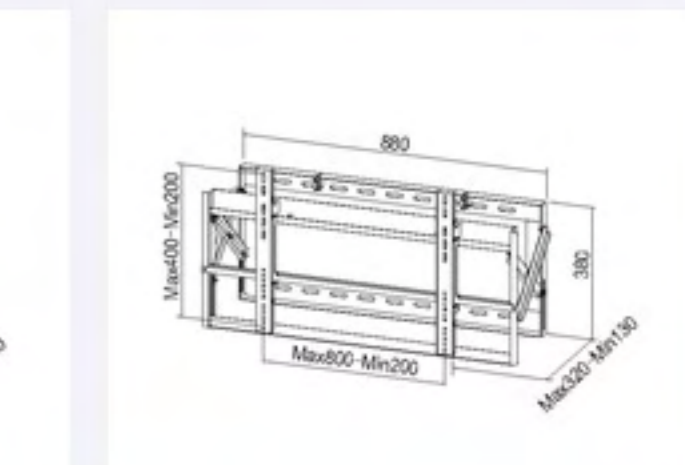
WMP 800S



WMP 400



WMP 600



WMP 800

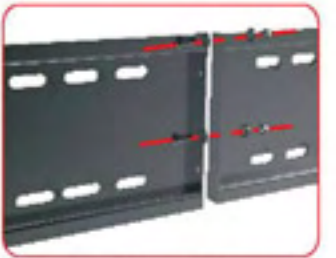
Model	Color	Material	Suggest Size	Loading Capacity	VESA Standard	Tilt	Profile	Level Adjustment
WMP 400S	Black or Silver	SPCC	30-52"	70kgs	Max.400*400	-3° +3°	70mm	-3° +3°
WMP 600S			45-70"		Max.600*400			
WMP 800S			54-70"		Max.800*400			

Model	Color	Material	Suggest Size	Loading Capacity	VESA Standard	Tilt	Profile	Level Adjustment
WMP 400	Black or Silver	SPCC	30-52"	70kgs	Max.400*400	-3° +3°	130mm	-3° +3°
WMP 600			45-70"		Max.600*400			
WMP 800			54-70"		Max.800*400			





Tilt



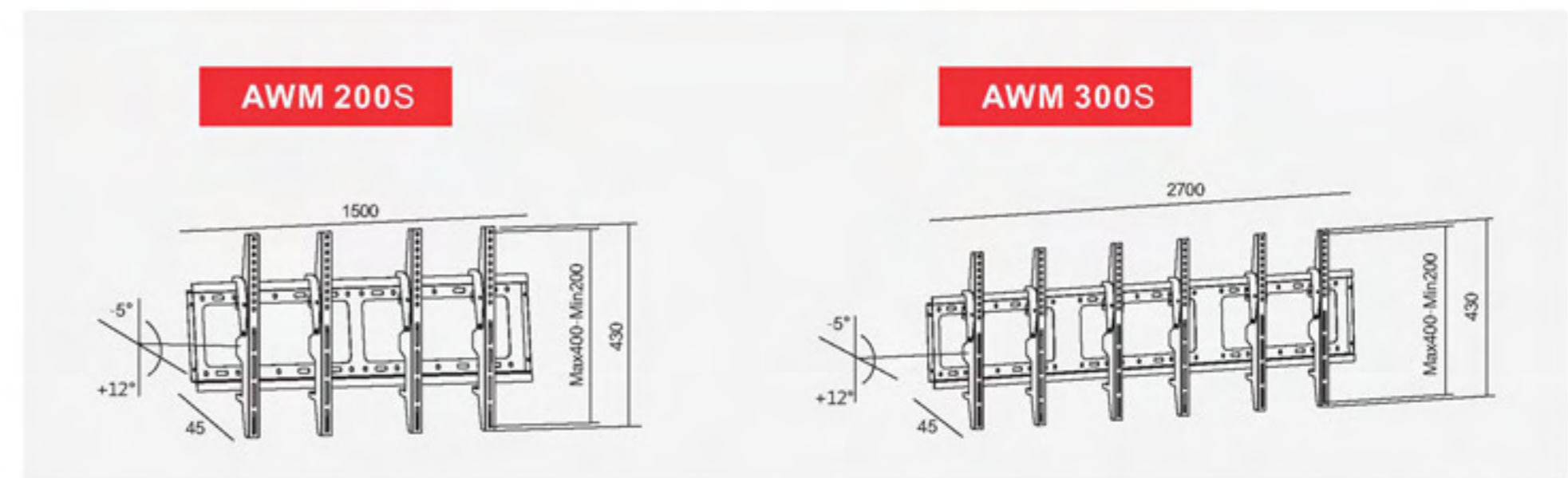
Multiple Screens Solution

- SPCC Rail 2-Screen 26-42 VESA Max 600x400 Landscape

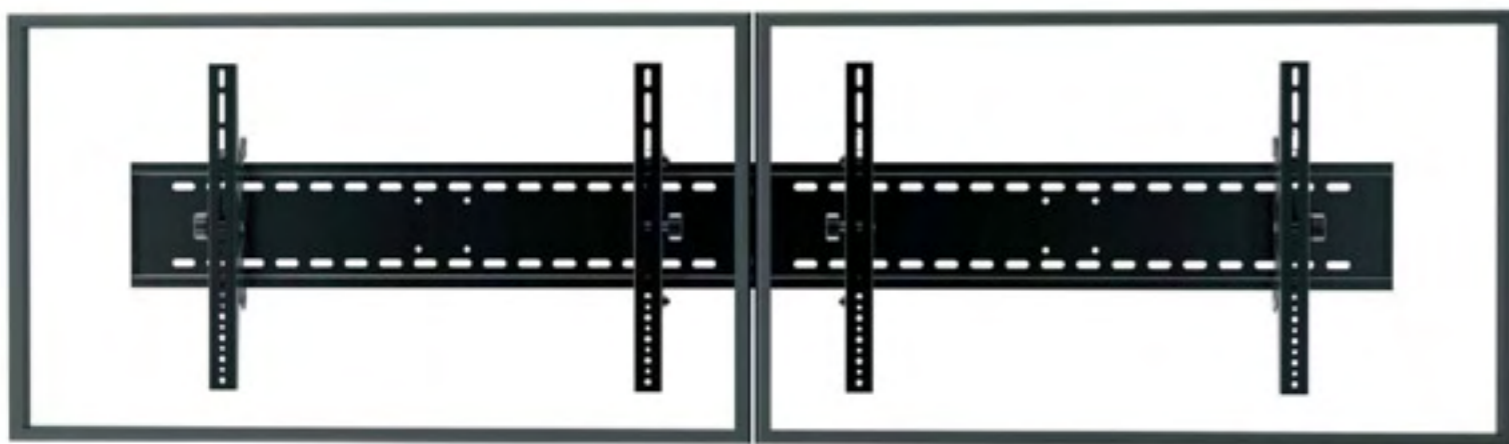
Model	Color	Material	Suggest Size	Loading Capacity	VESA Standard	Tilt	Orientation
AWM 200S	Black or Silver	SPCC	26-42"	30kgs Per Screen	Max.600*400	-5--+12°	Landscape
AWM 300S							



- SPCC Rail 3-Screen 26-42 VESA Max 600x400 Landscape

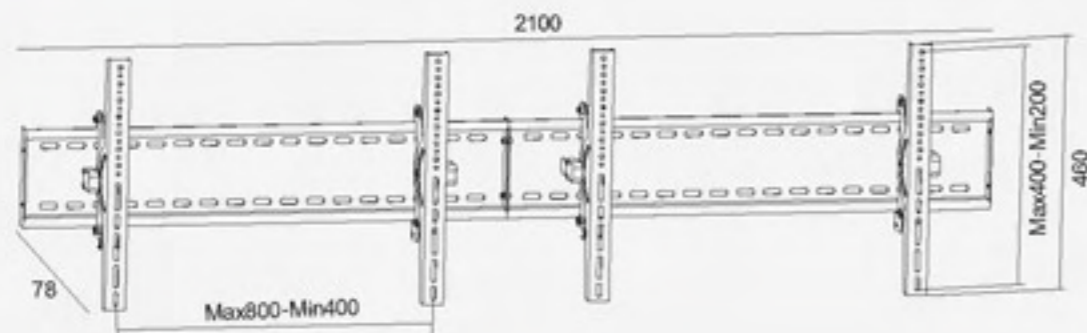






AWM 200

SPCC Rail 2-Screen 30-60 VESA Max 800x400 Landscape



Multiple Screens Solution



Locking System



Tilt

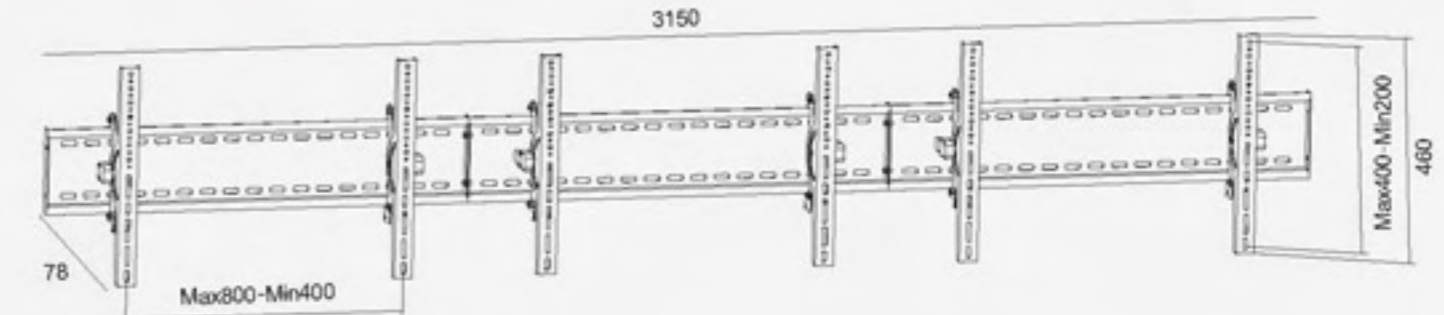


Fine Tune Adjustment for Screen



AWM 300

SPCC Rail 3-Screen 30-60 VESA Max 800x400 Landscape



- High gauged cold steel provides very sturdy structure
- 5° / -12° tilt for VESA plate for a better view

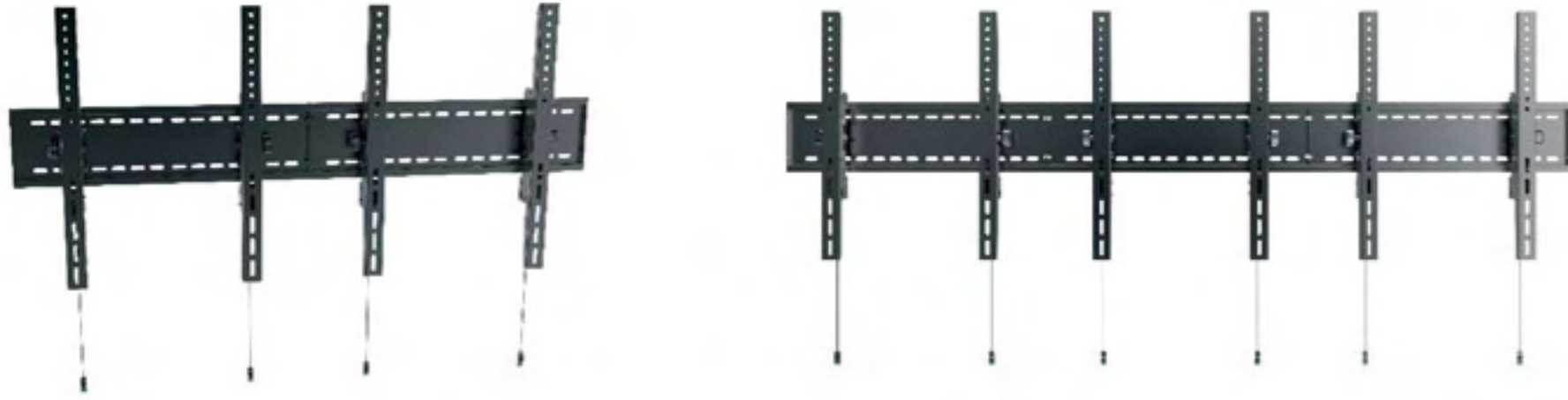
Multiscreen Connection

- Stable Structure
- Easy to Assemble

Model	Color	Material	Suggest Size	Loading Capacity	VESA Standard	Tilt	Orientation
AWM 200	Black or Silver	SPCC	30-60"	40kgs Per mount	Max.800*400	-5-+12°	Landscape
AWM 300							



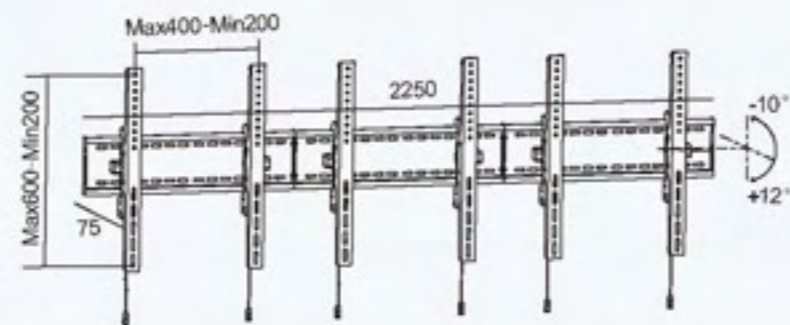
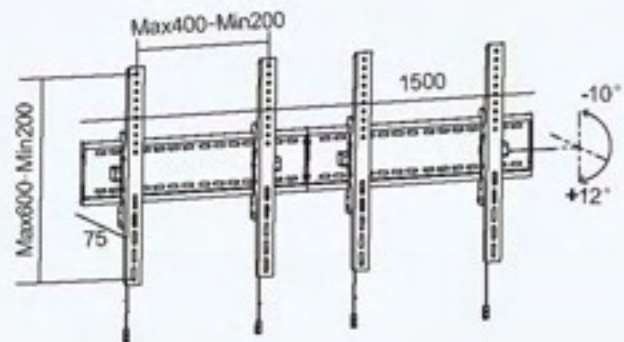
# Menuboard Video Wall Mount



Model	Color	Material	Suggest Size	Loading Capacity	VESA Standard	Tilt	Profile
AWM 200PM	Black or Silver	2.5mm SPCC	37-70"	125kgs Per screen	Max.400*600 Portrait	-10°-+12°	75mm
AWM 300PM							

**AWM 200PM** SPCC Rail 2-Screen 37-70  
VESA Max 400x600 Portrait

**AWM 300PM** SPCC Rail 3-Screen 37-70  
VESA Max 400x600 Portrait



www.kf-ind.com

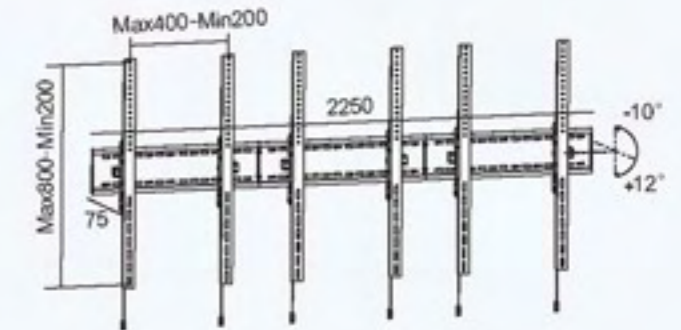
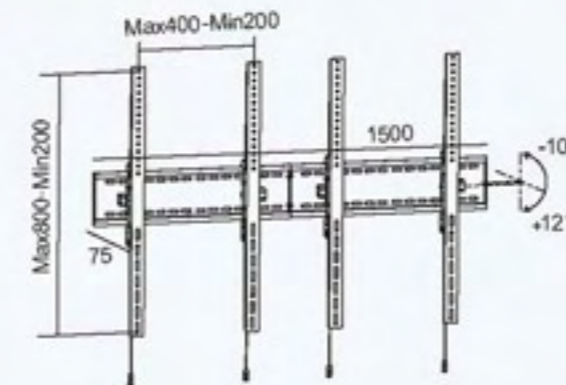
# Menuboard Video Wall Mount



Model	Color	Material	Suggest Size	Loading Capacity	VESA Standard	Tilt	Profile
AWM 200PL	Black or Silver	2.5mm SPCC	42-70"	125kgs Per screen	Max.400*800 Portrait	-10°-+12°	75mm
AWM 300PL							

**AWM 200PL** SPCC Rail 2-Screen 42-70  
VESA Max 400x800 Portrait

**AWM 300PL** SPCC Rail 3-Screen 42-70  
VESA Max 400x800 Portrait

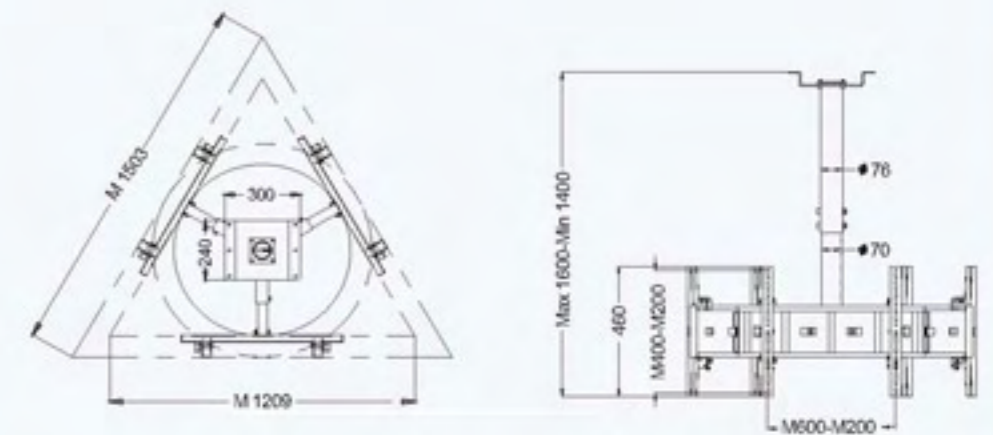






CM 003

- Height Adjustment
- Durable and Space Saving



Length Adjustment



Tilt



360°



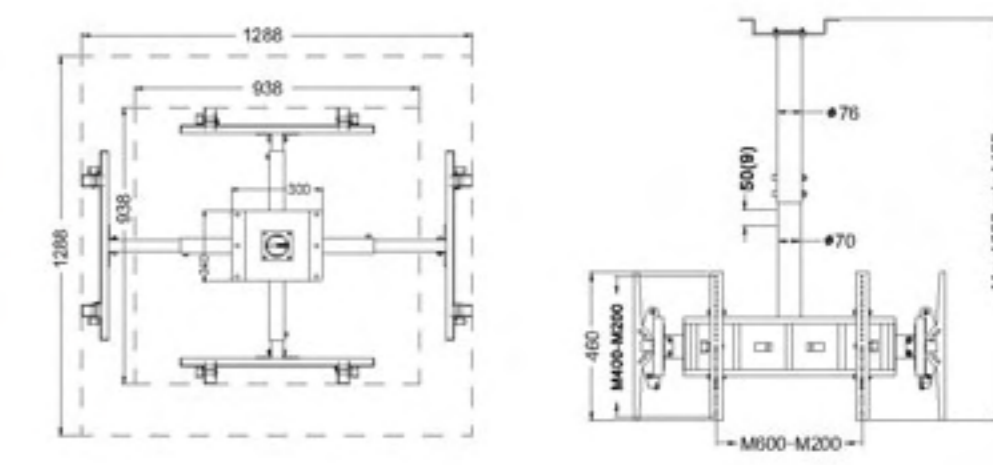
Cable Management



Height Adjustment

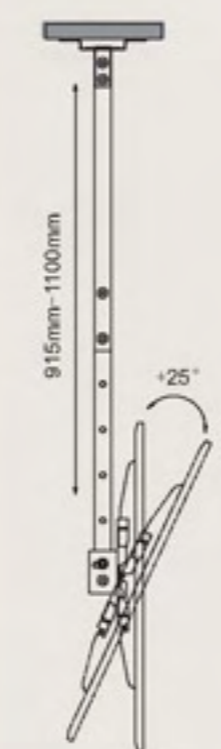
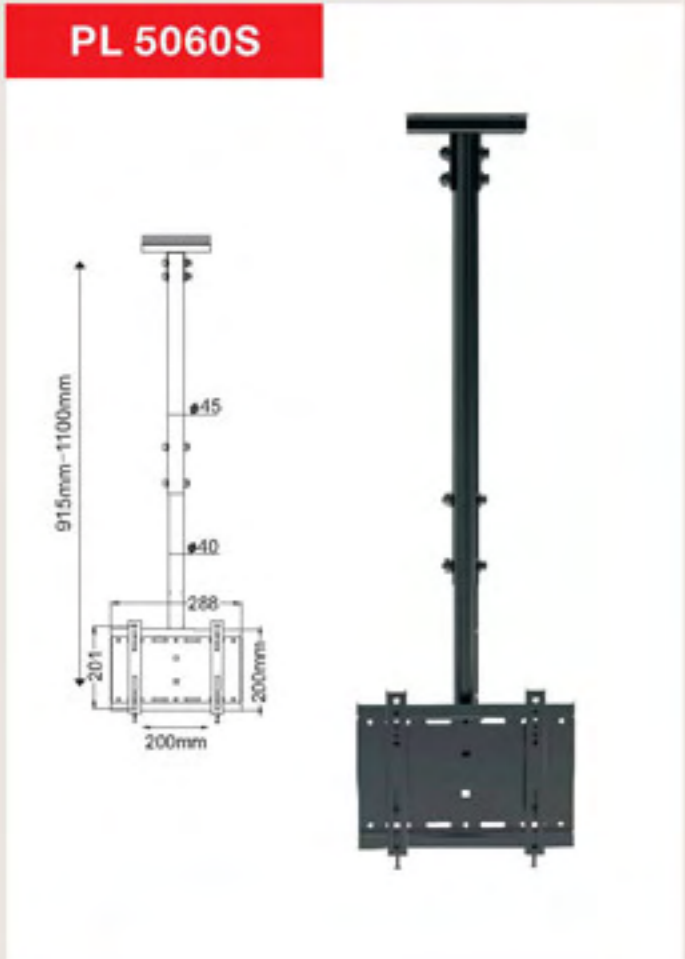
CM 004

- Telescopic Tube
- Durable and Space Saving

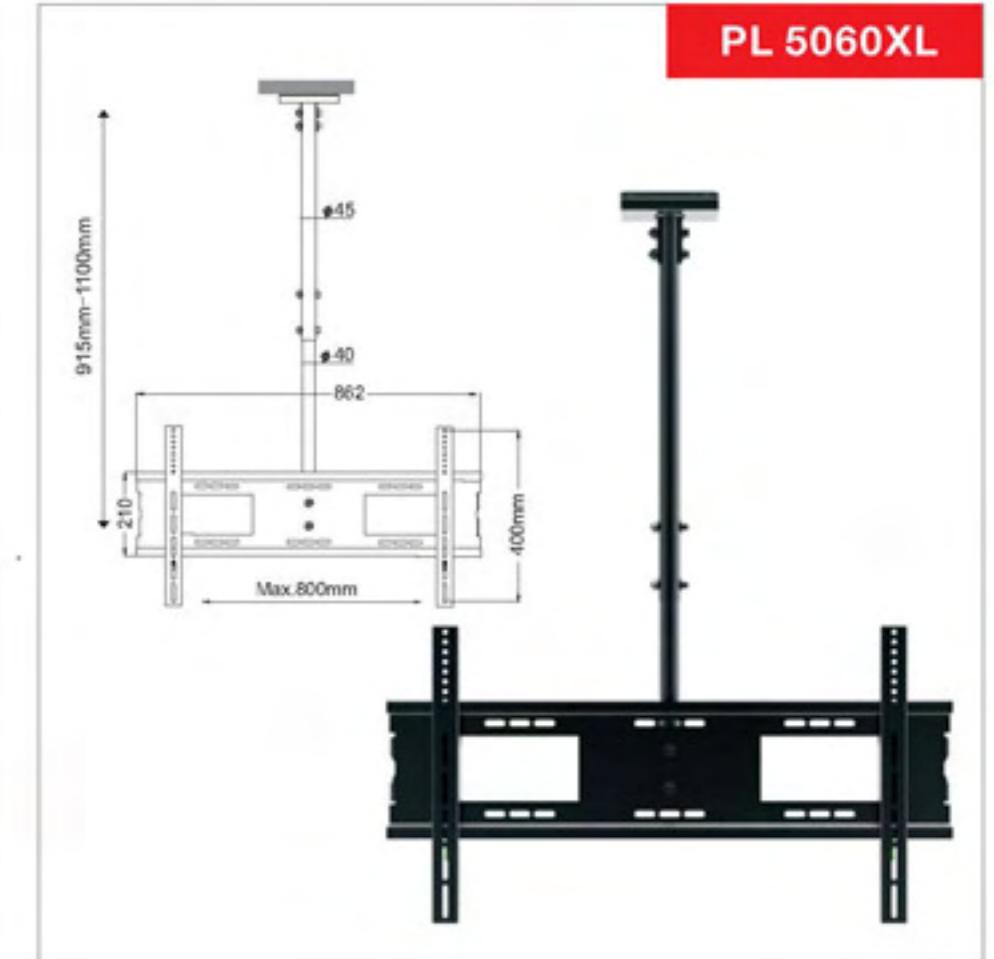


Model	Color	Material	Suggest Size	Loading Capacity	VESA Standard	Tilt	Length
CM 003	Black or Silver	SPCC	30-60"	120kgs	Max.600*400	-5° → +12°	Min1400- Max1600
CM 004				160kgs	Max.400*400		

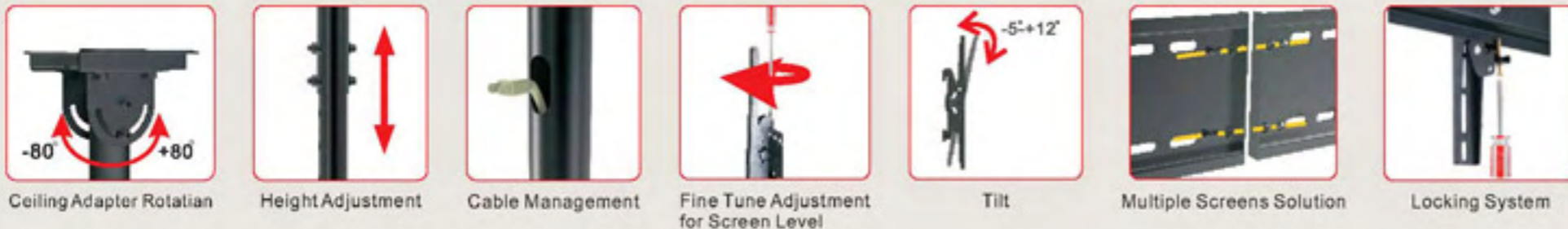




Model	Color	Material	Suggest size	Loading Capacity	VESA Standard	Tilt	Length
PL 5060S	Black or Silver	SPCC	14-32"	25kgs	Max.200*200	25°	Min915-Max1100
PL 5060M			32-55"	35kgs	Max.400*400		
PL 5060L			37-70"	45kgs	Max.600*400		
PL 5060XL			42-70"	60kgs	Max.800*400		







Model	Color	Material	Suggest Size	Loading Capacity	VESA Standard	Tilt	Length
CM 200C	Black or Silver	SPCC	30-60"	40kgs Per Screen	Max.800*400	-5° -+12°	Min1220-Max1520
CM 300C							
CM 200CA							
CM 300CA							

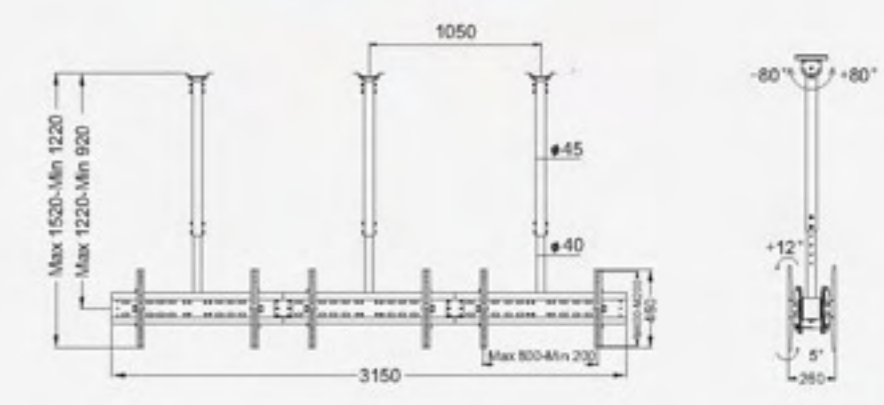
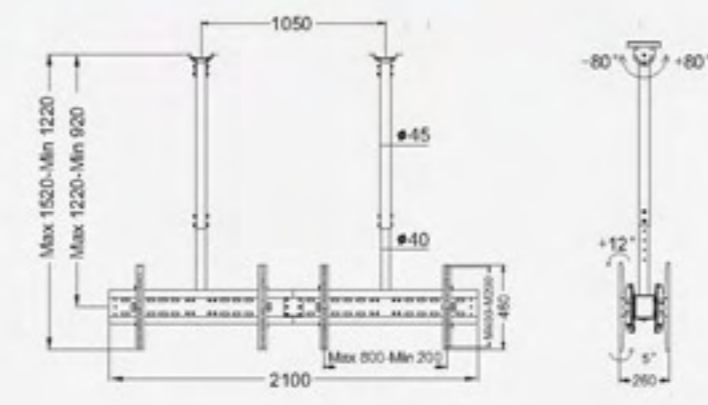
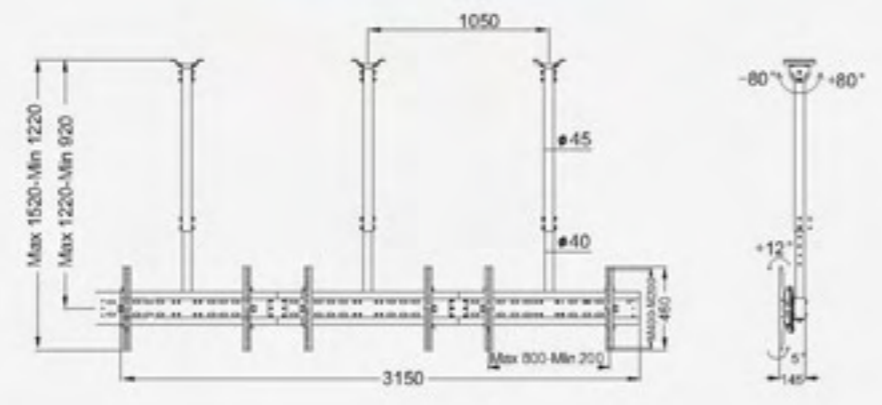
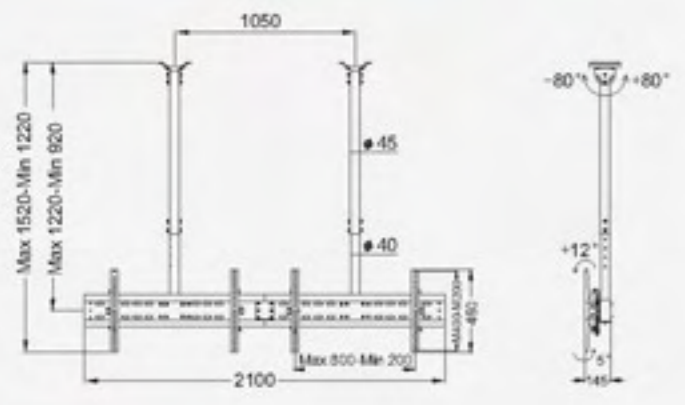


CM 200C

CM 300C

CM 200CA

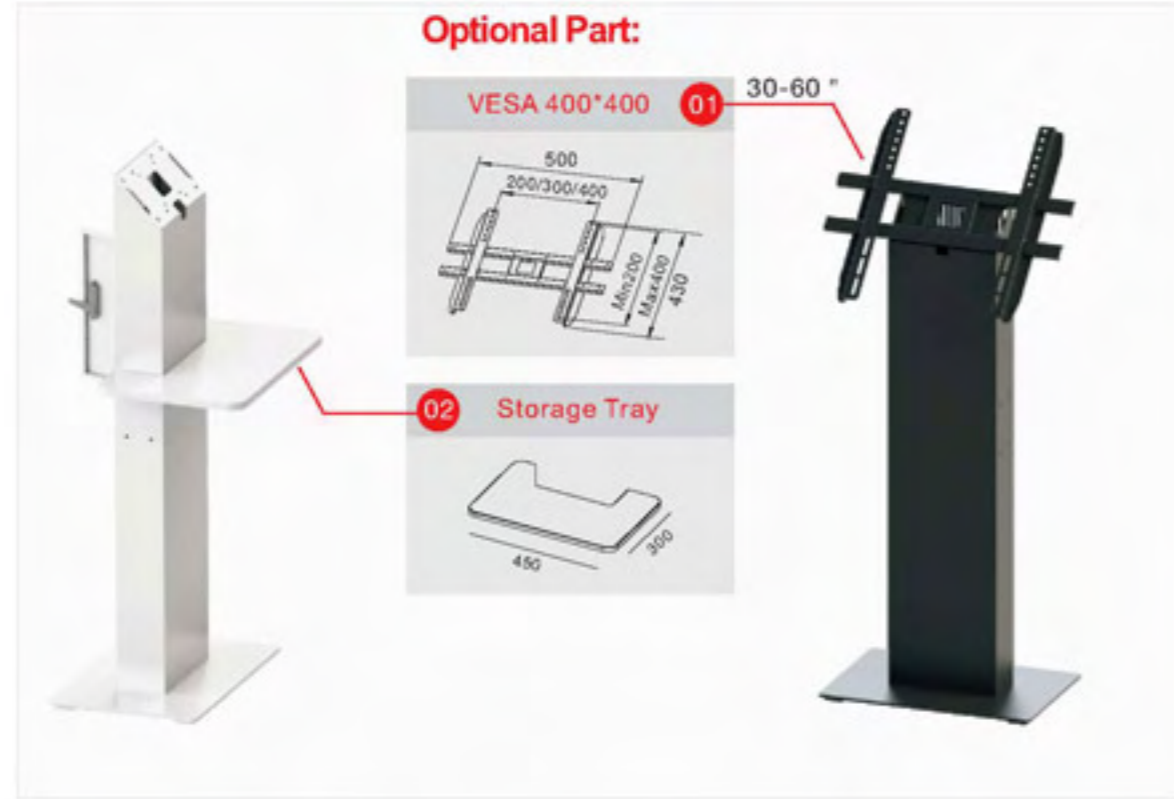
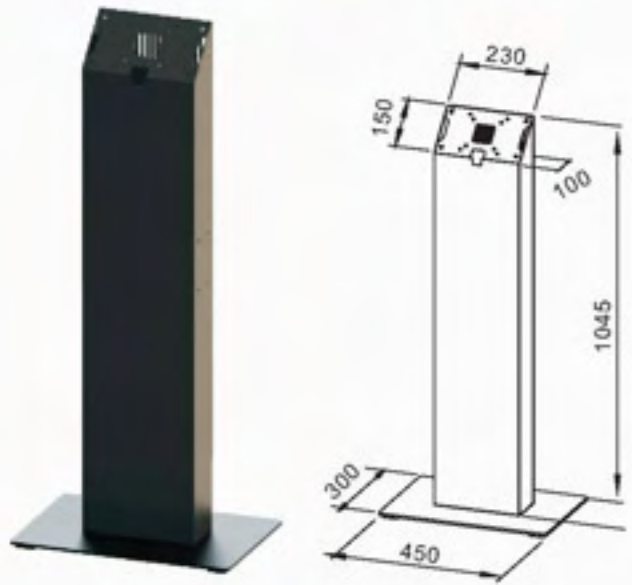
CM 300CA





KS 001

NEW Product



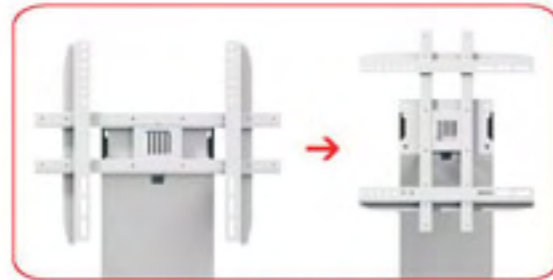
Model	Color	Material	Suggest Size	Loading Capacity	VESA Standard	Orientation	Tilt	Cable Management
KS 001	Black or White	SPCC	15-32"	30kgs	Max.200*200	Landscape / Portrait	45°	Yes



Cable Management



Tilt



Landscape & Portrait



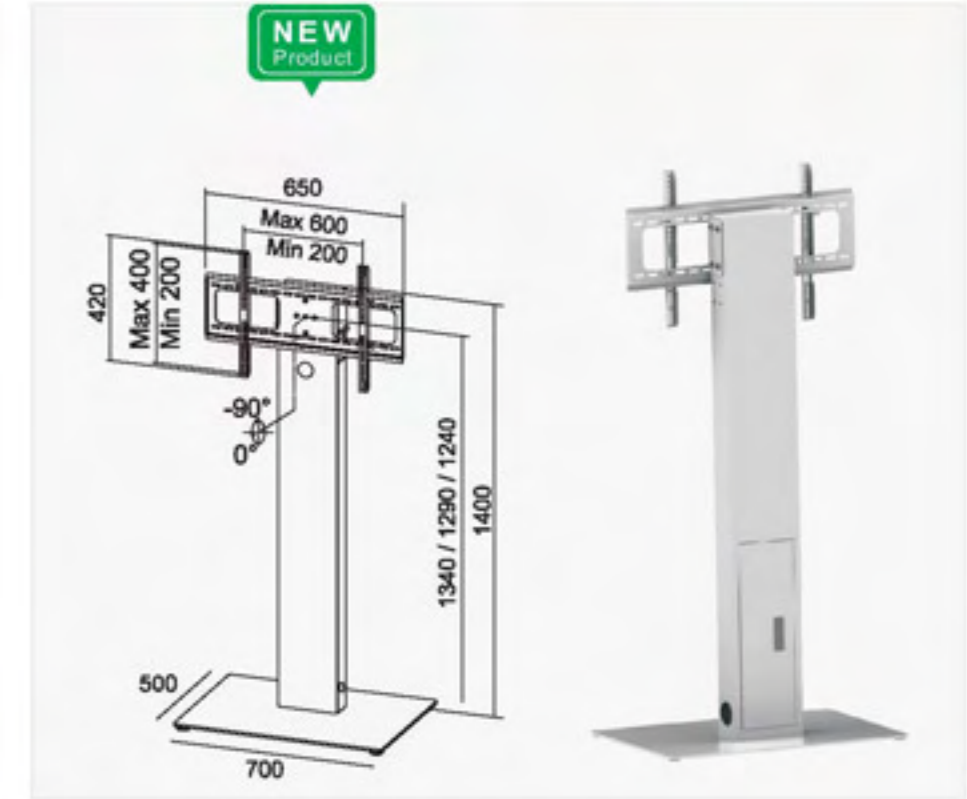
Back Door



KS 002

Landscape & Portrait

NEW Product



Model	Color	Material	Suggest Size	Loading Capacity	VESA Standard	Tilt	Cable Management
KS 002	Black / Silver / White	SPCC	30-60"	60kgs	Max.600*400 Landscape Max.400*600 Portrait	0°	Yes



Cable Management



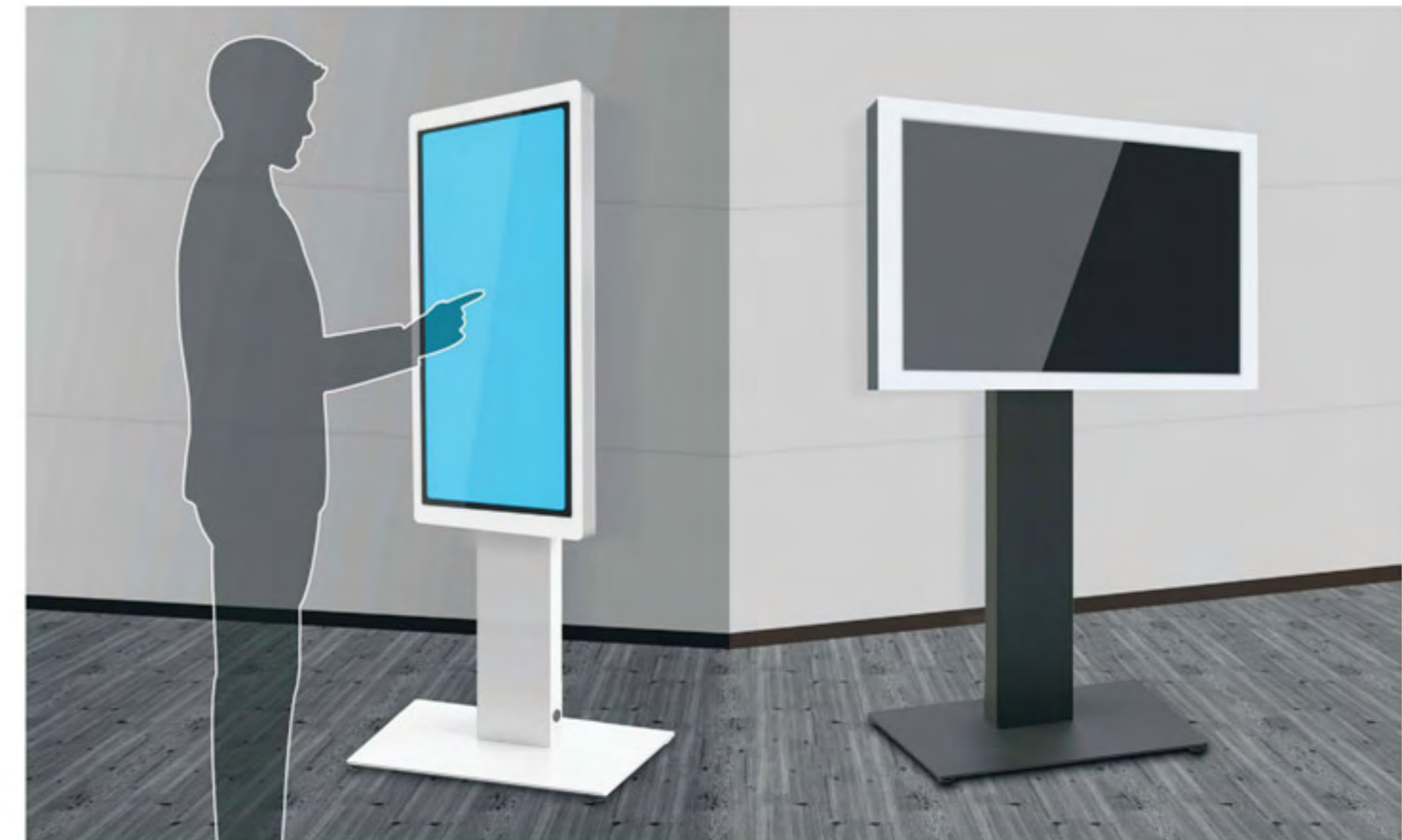
Adjustable Feet on Base



Multimedia Storage



Back Door





## Video Conference Mount & Stand



Landscape & Portrait    Tilt    Cable Management    Power Rail    Floor Mount    Wall Mount

Model	Color	Material	Suggest Size	Loading Capacity	VESA Standard	Tilt	Orientation
WM 106AL	Black or Silver	Alu. / SPCC / ABS	30-60"	60kgs	Max.800*400	-5° -- +15°	Landscape / Portrait

## Video Conference Mount & Stand



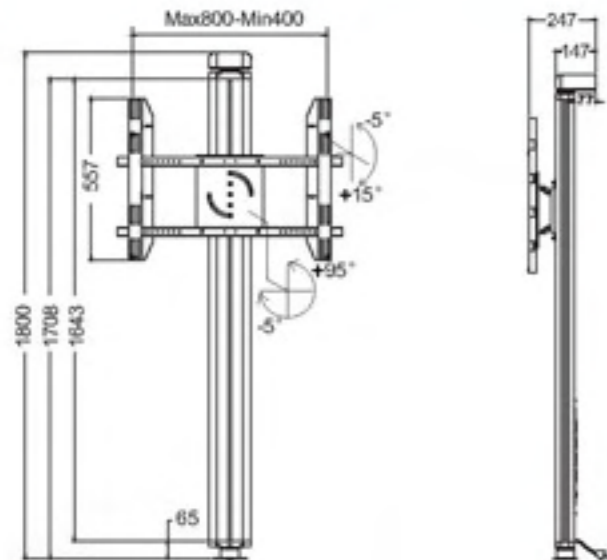
Fine Tune Adjustment for Screen Level    Screw Locking    Tilt    Cable Management    Power Rail    Floor Mount    Wall Mount

Model	Color	Material	Suggest Size	Loading Capacity	VESA Standard	Tilt	Orientation
WM 202AL	Black or Silver	Alu. / SPCC / ABS	30-60"	40kgs Per Mount	Max.800*400	-5° -- +12°	Landscape

### Horizontal and Vertical

TV Stand -- video conferencing scheme showcasing both landscape and portrait viewing of the TV, allowing users to avoid annoying wires and talk easily in a variety of ways.

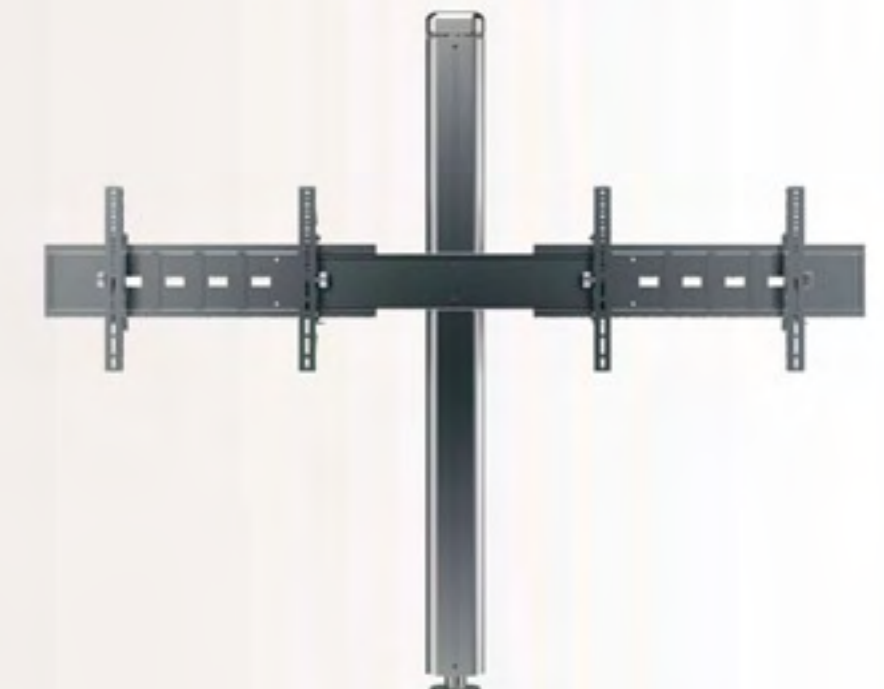
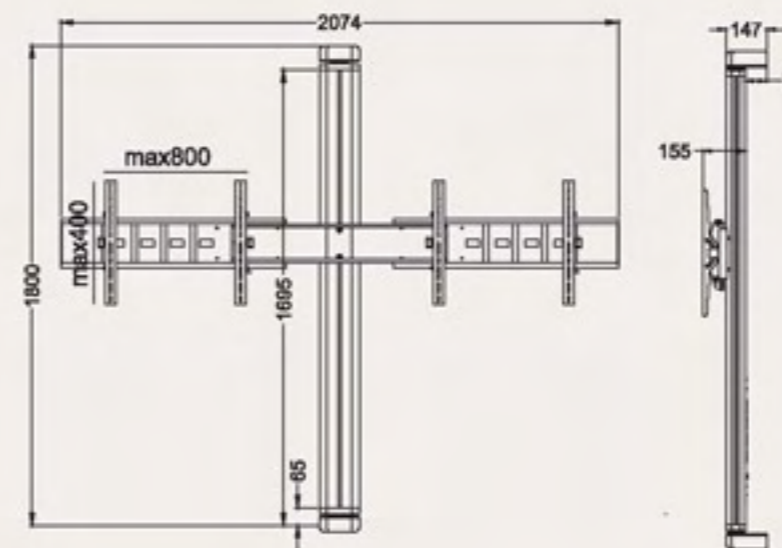
### WM 106AL



### WM 202AL

#### Height Adjustable

12 degrees tilt Angle fine-tuning design, give you a better viewing experience. The use of high quality steel, safety, rust - proof, more texture





# Video Conference Mount & Stand



- ✔ Conference Office
- ✔ Watch TV Series
- ✔ Commercial Use



Landscape & Portrait



Tilt



Cable Management



Power Rail



Handling Bar



Power Rail



Back Door



Height Adjustable

www.kf-ind.com

# Video Conference Mount & Stand



Landscape & Portrait



Tilt



Cable Management



Power Rail



Handling Bar



Power Rail

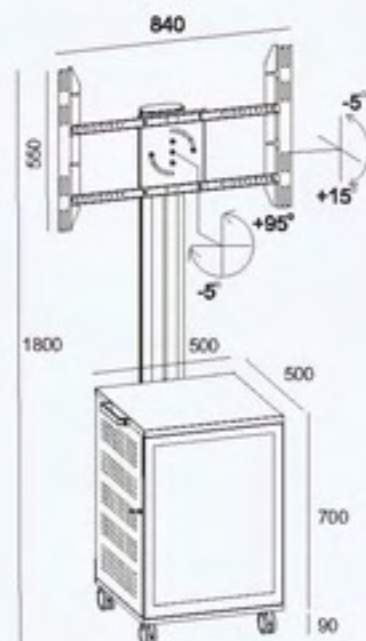


Cabinet Back



Height Adjustable

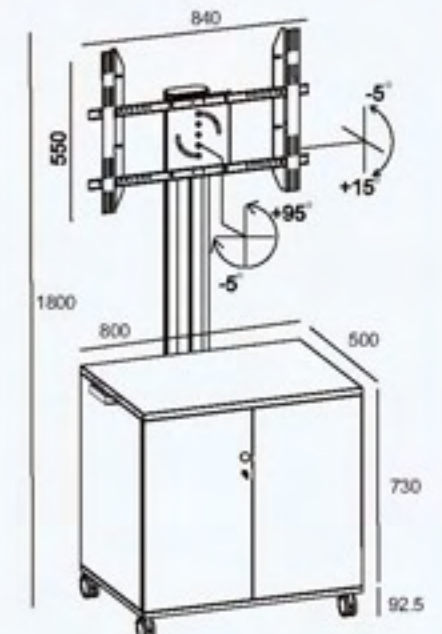
## VRS 1000



● Model	VRS 1000
● Color	Black or Silver
● Material	Alu. / SPCC / Plexiglass
● Suggest Size	30-60"
● Loading Capacity / Mount	60kgs
● Loading Capacity / Shelf	20kgs per Shelf
● Loading Capacity on Top Cabinet	30kgs
● VESA Standard	Max.800*400
● Tilt	-5°-+15°
● Orientation	Landscape & Portrait
● Power Rail on Pillar	Yes
● Power Rail in Cabinet	Yes
● Cable Management	Yes

## VRS 1000A

● Model	VRS 1000A
● Color	Black or Silver
● Material	Alu. / SPCC / Plexiglass
● Suggest Size	30-60"
● Loading Capacity / Mount	60kgs
● Loading Capacity / Shelf	20kgs per Shelf
● Loading Capacity on Top Cabinet	30kgs
● VESA Standard	Max.800*400
● Tilt	-5°-+15°
● Orientation	Landscape & Portrait
● Power Rail on Pillar	Yes
● Power Rail in Cabinet	Yes
● Cable Management	Yes

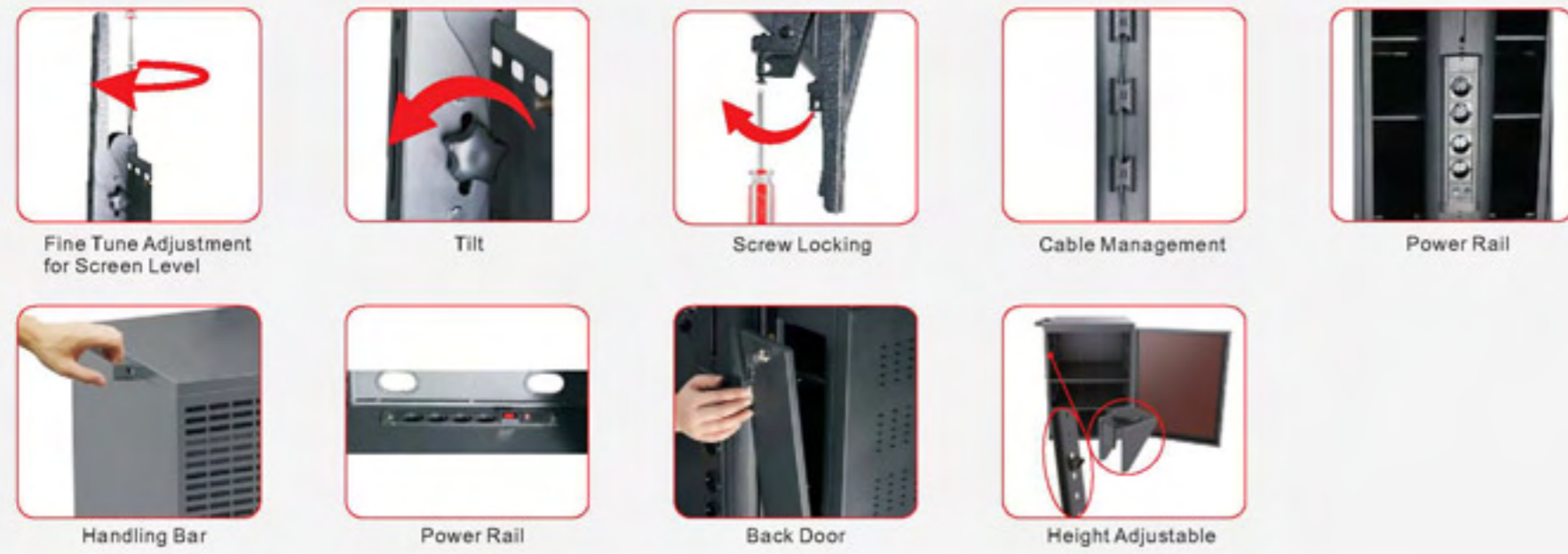




# Video Conference Mount & Stand



- ✓ Left and Right Double Screen
- ✓ Locker
- ✓ Moving Caster

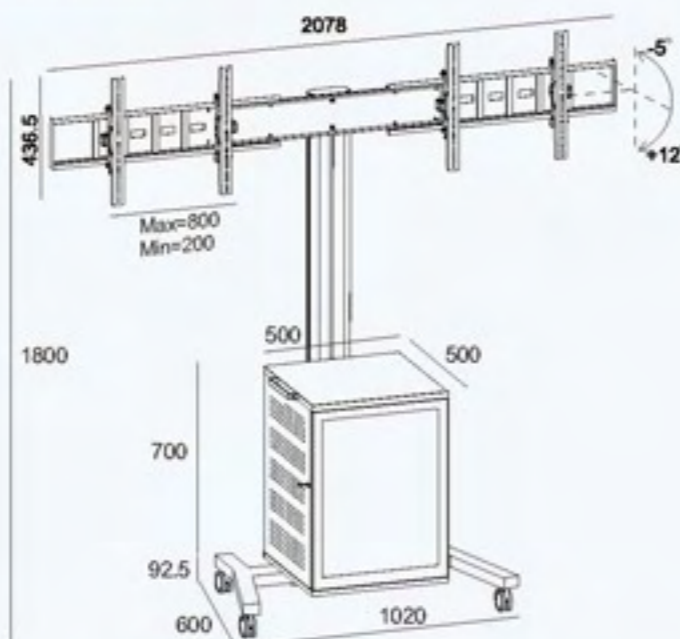


www.kf-ind.com

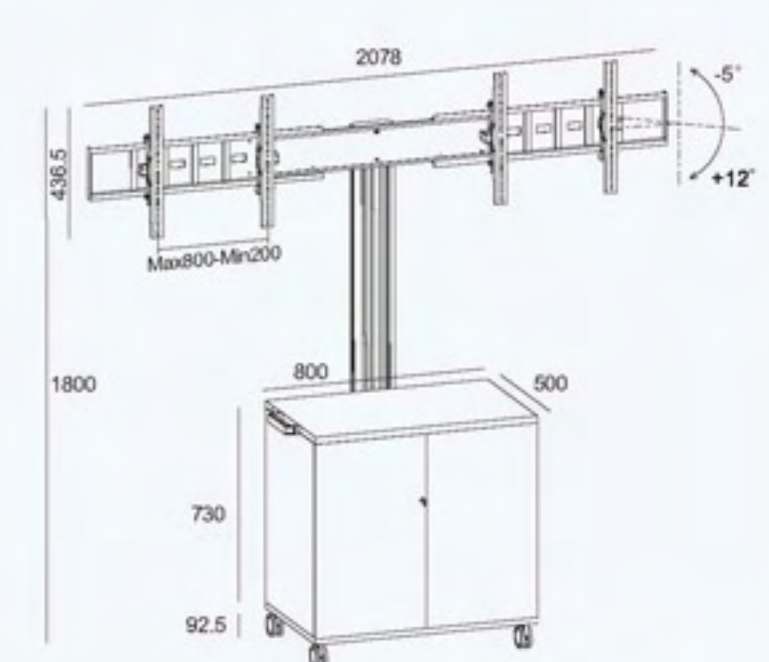
# Video Conference Mount & Stand



## VRS 2000

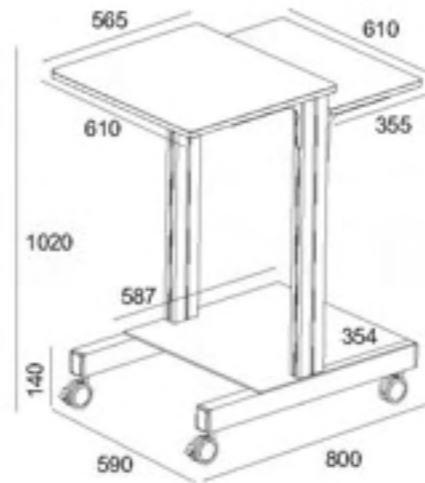


## VRS 2000A



• Model	VRS 2000 / VRS 2000A
• Color	Black or Silver
• Material	Alu. / SPCC / Plexiglass
• Suggest Size	30-60"
• Loading Capacity / Mount	40kgs per mount
• Loading Capacity / Shelf	20kgs per Shelf
• Loading Capacity on Top Cabinet	30kgs
• VESA Standard	Max. 800*400
• Tilt	-5°-+12°
• Orientation	Landscape
• Power Rail on Pillar	Yes
• Power Rail in Cabinet	Yes
• Cable Management	Yes





- Model MB 002
- Color Black or Silver
- Material Alu. / SPCC / MDF
- Loading Capacity 60kgs
- Power Rail Yes

Wood Color Available:



MB 002

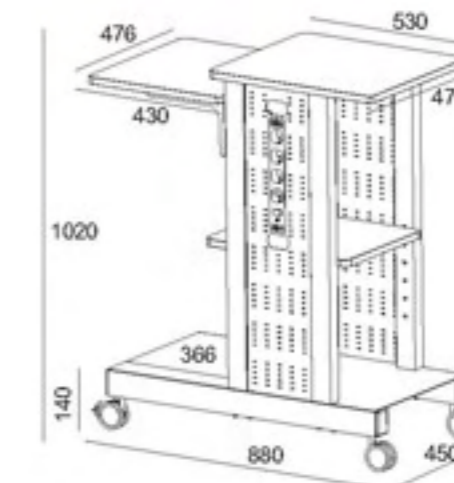
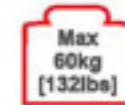


Wood Color Available:



- Model MB 003
- Color Black or Silver
- Material Alu. / SPCC
- Loading Capacity 60kgs
- Power Rail Yes

MB 003



Cable Management



Cable Management



Castors



Power Rail



Wood Shelf Height Adjustment



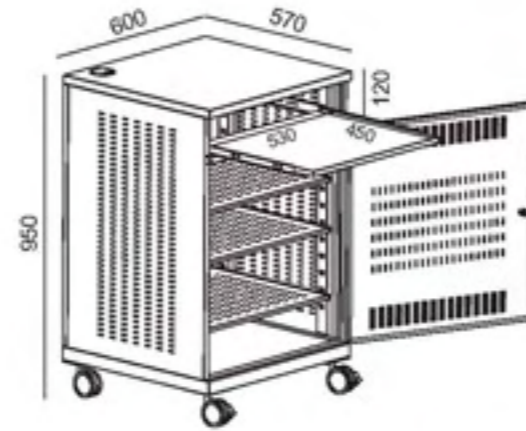
NEW Product

**MB 003A**



Front Door

- Model MB 003A
- Color Black / Silver / White
- Material SPCC / Plexiglass / Plastic
- Cable Management
- 3 Shelves Adjustment
- Power rail inside Cabinet
- Single door front, double door back



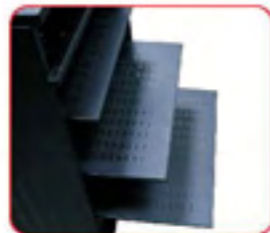
Back Door



Cable Management



Power Rail



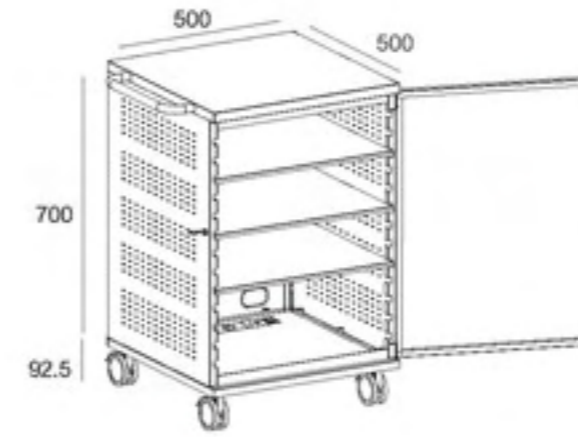
Three Shelves



Keyboard Tray



**MB 004**



- Model MB 004
- Color Black or Silver
- Material SPCC / Plexiglass
- Cable Management
- 3 Shelves Adjustment
- Power rail inside Cabinet
- 2pcs back doors & front doors W / Lock
- Plexiglass door for remote working



Handling Bar



Four Shelves



Cable Management



Power Rail



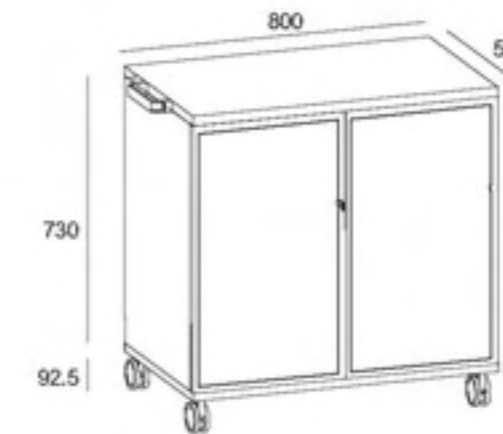
Height Adjustable



Back Door



**MB 004A**



- Model MB 004A
- Color Black or Silver
- Material SPCC / Plexiglass
- Cable Management
- 3 Shelves Adjustment
- Power rail inside Cabinet
- Front doors W / Lock
- Punching metal door for remote working



Handling Bar



Power Rail



Cable Management



Castors

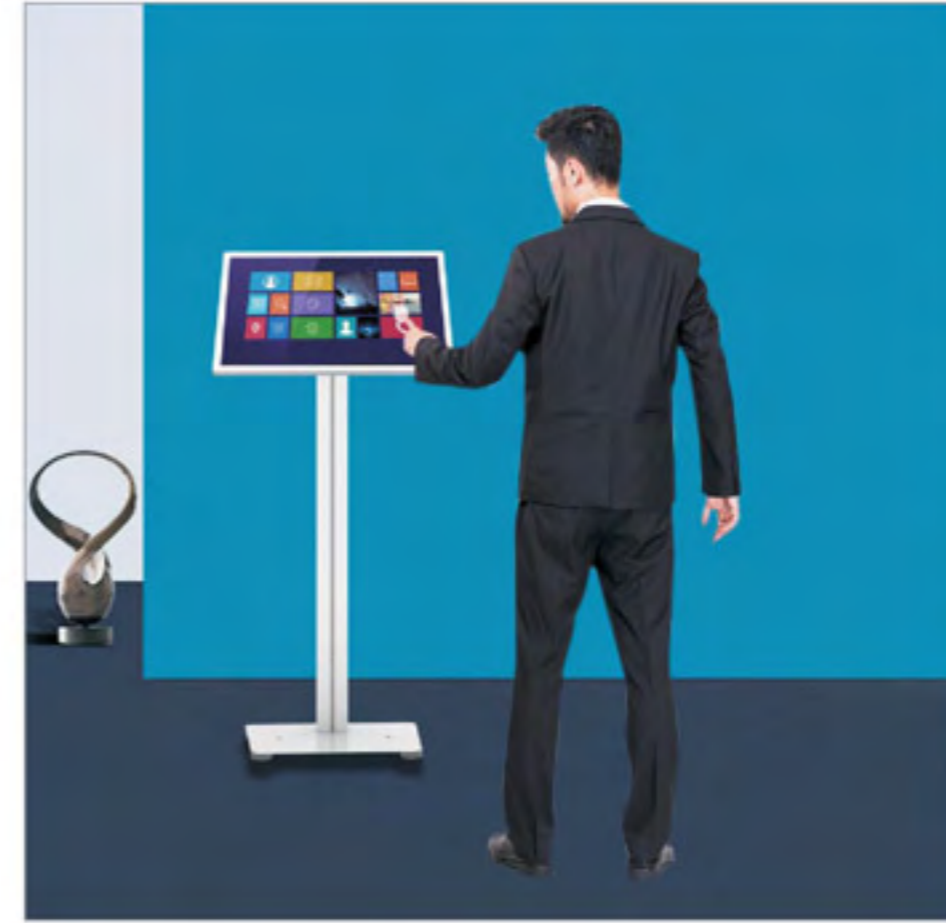


Height Adjustable

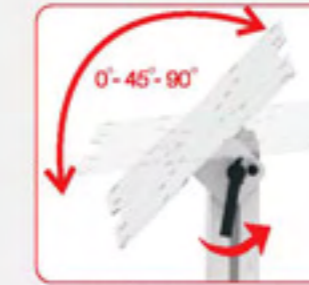


Cabinet Back





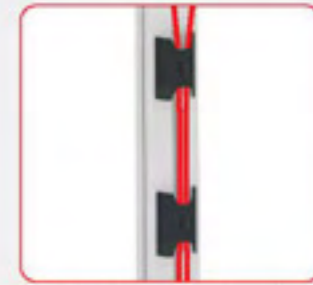
Adjustable Feet



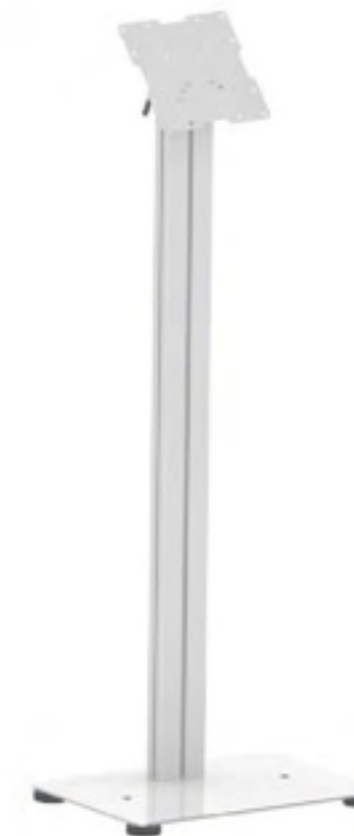
Vertical / Tilt / Table



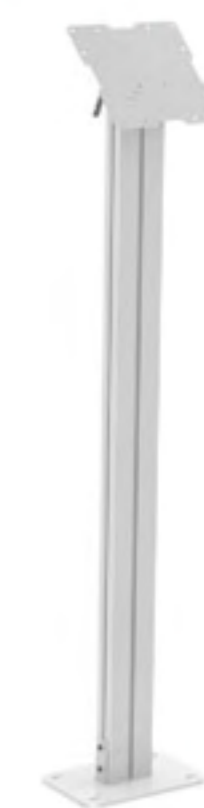
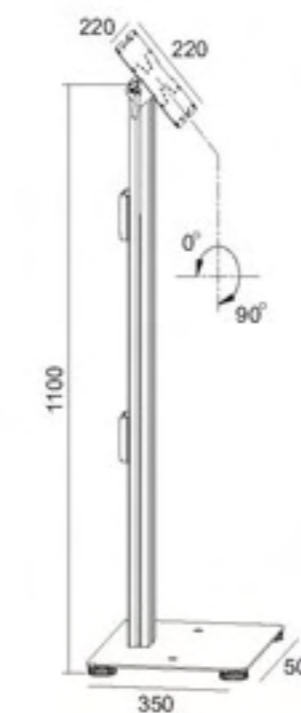
Floor Mount Base



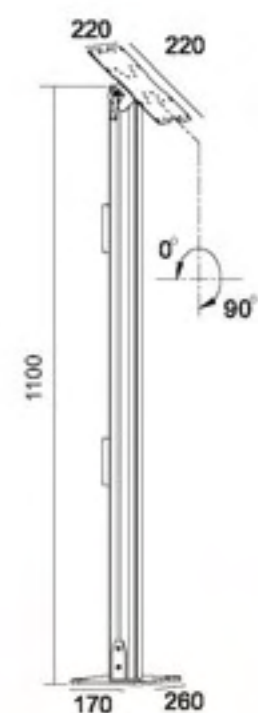
Cable Management



AVA 103A



AVA 103B



Model	Color	Material	Suggest Size	Loading Capacity	VESA Standard	Tilt	Orientation	Power Rail	Cable Management
AVA 103A	Black or Silver	Alu. / SPCC	10-32"	15kgs	200*200, 200*100	0° -45° -90°	Landscape	No	Yes
AVA 103B					100*200, 100*100 75*75, 50*50				

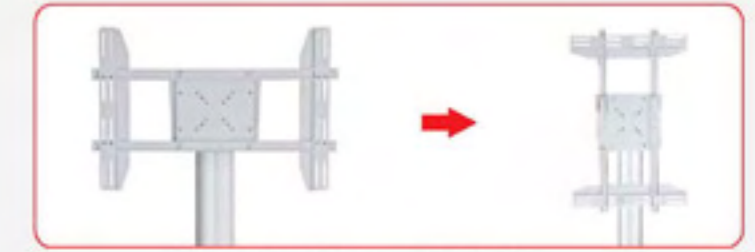
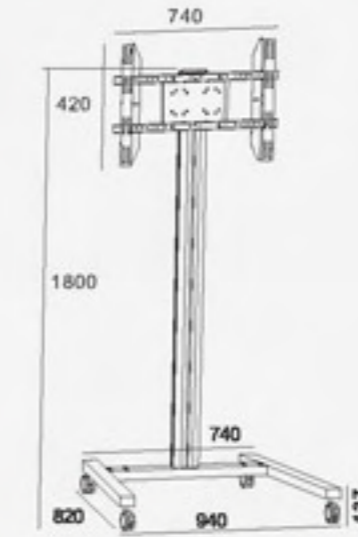




↑  
↓  
Height Adjustment



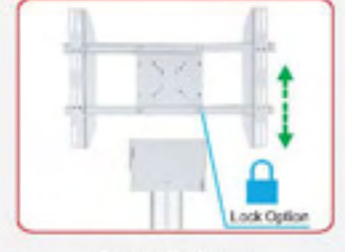
AVA 109A



Landscape & Portrait

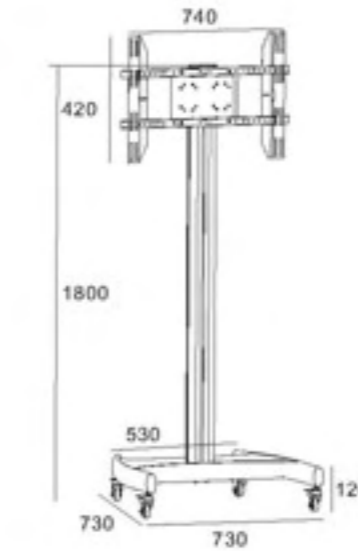


Cable Management

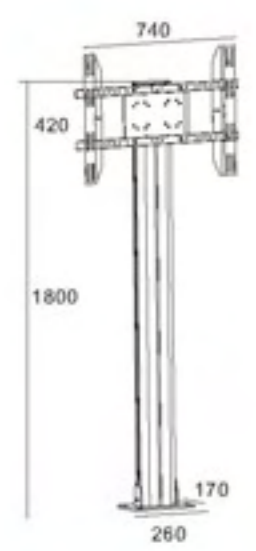


Quick Release

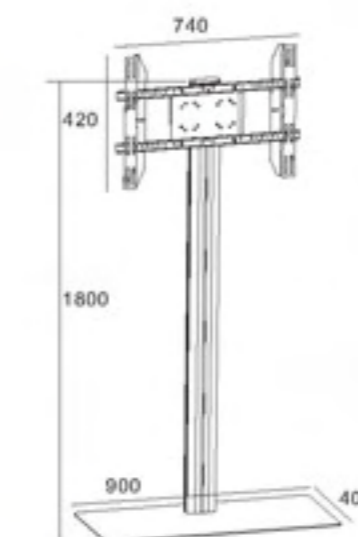
AVA 109C



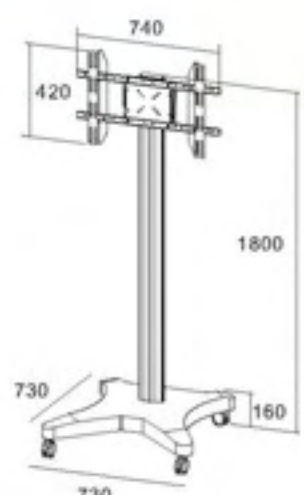
AVA 109D



AVA 109E



AVA 109F



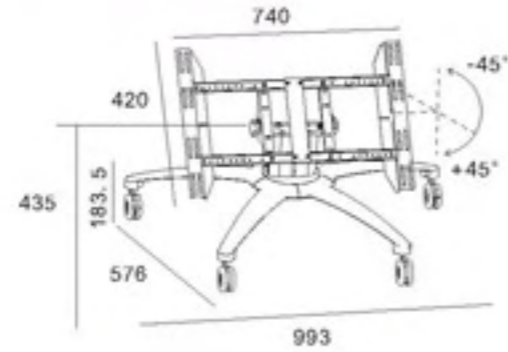
Model	Color	Material	Suggest Size	Loading Capacity	VESA Standard	Tilt	Power Rail	Cable Management
AVA 109A								
AVA 109C								
AVA 109D	Black or Silver	Alu. / SPCC	30-60"	50kgs	Max.700*400 Landscape Max.400*700 Portrait	0°	No	Yes
AVA 109E								
AVA 109F								



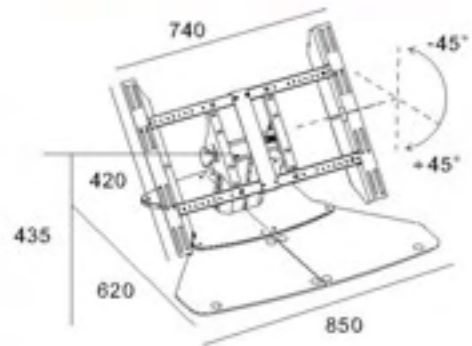
0°~ 45°~ 90° to adjust the Angle of view, effectively alleviate the long-term fixed posture caused by cervical spine problems. The news station is dedicated to the rostrum for easy response to various occasions.



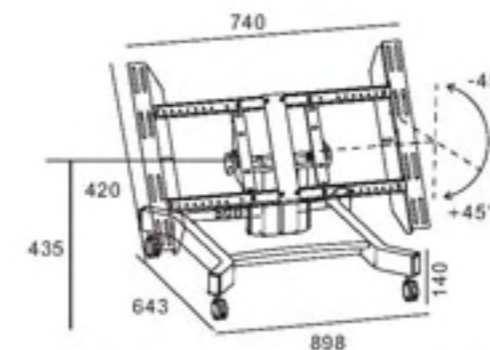
Podium TV Floor Stand  
**AVA 101A**



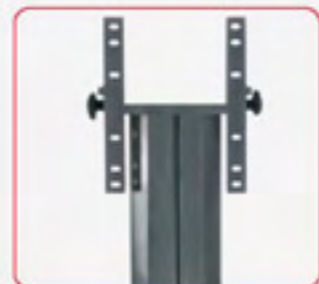
Podium TV Floor Stand  
**AVA 101D**



Podium TV Floor Stand  
**AVA 101F**



Vertical / Tilt / Table



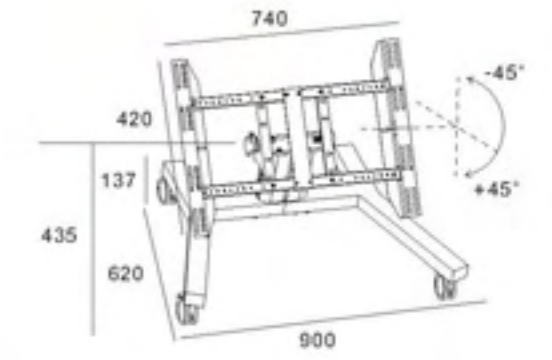
VESA 200\*200



Cable Management



Podium TV Floor Stand  
**AVA 101B**



Model	Color	Material	Suggest Size	Loading Capacity	VESA Standard	Tilt	Orientation	Power Rail	Cable Management
AVA 101A	Black or Silver	Alu. / SPCC	32-55"	60kgs	Max.700*400	0° -45° -90°	Landscape	NO	Yes
AVA 101B									
AVA 101D									
AVA 101F									





Model	Color	Material	Suggest Size	Loading Capacity	VESA Standard	Tilt	Orientation	Power Rail	Cable Management
AVA 102A	Black or Silver	Alu. / SPCC	32-55"	60kgs	Max.700*400	0° -45° -90°	Landscape	Yes	Yes
AVA 102B									
AVA 102C									
AVA 102D									
AVA 102F									



VESA 200\*200



Cable Management

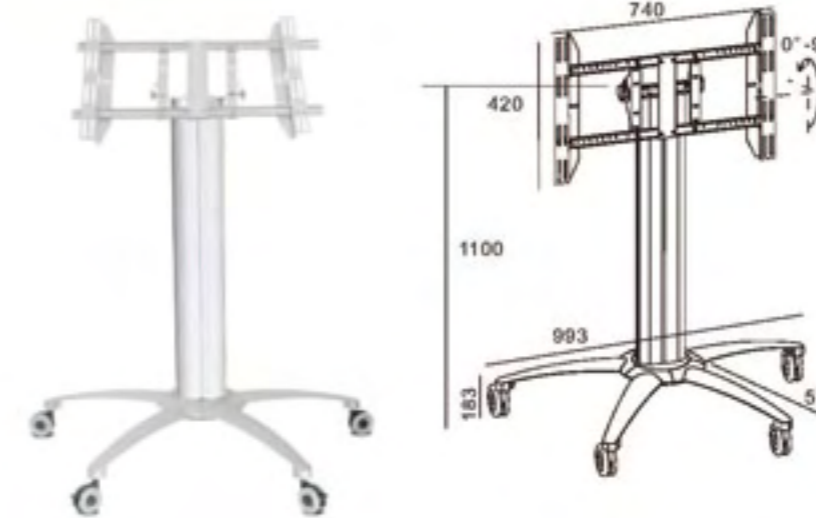


Vertical / Tilt / Table

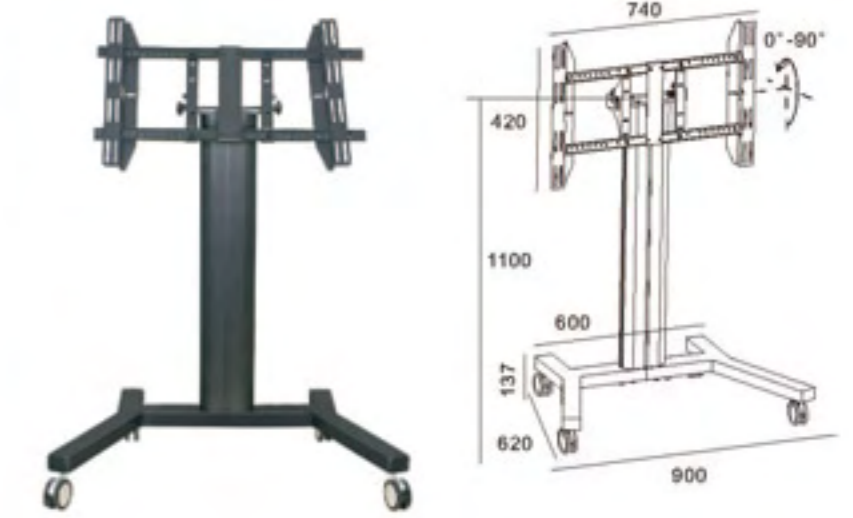


Power Rail

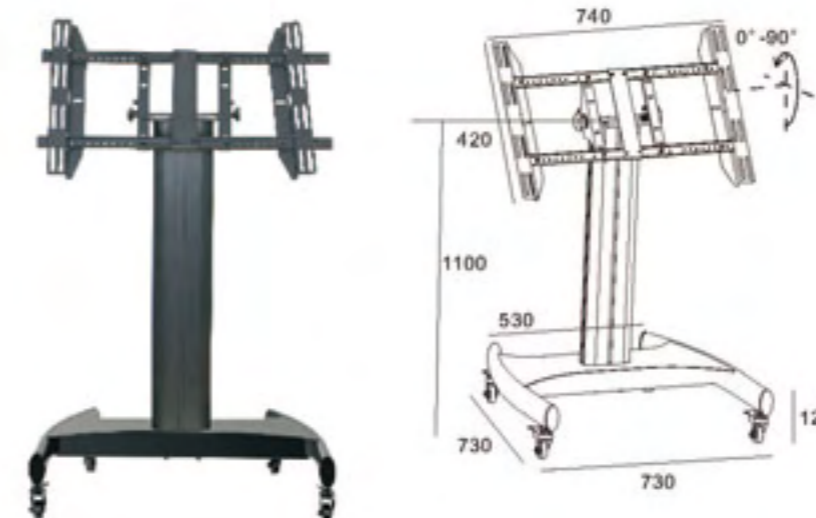
AVA 102A



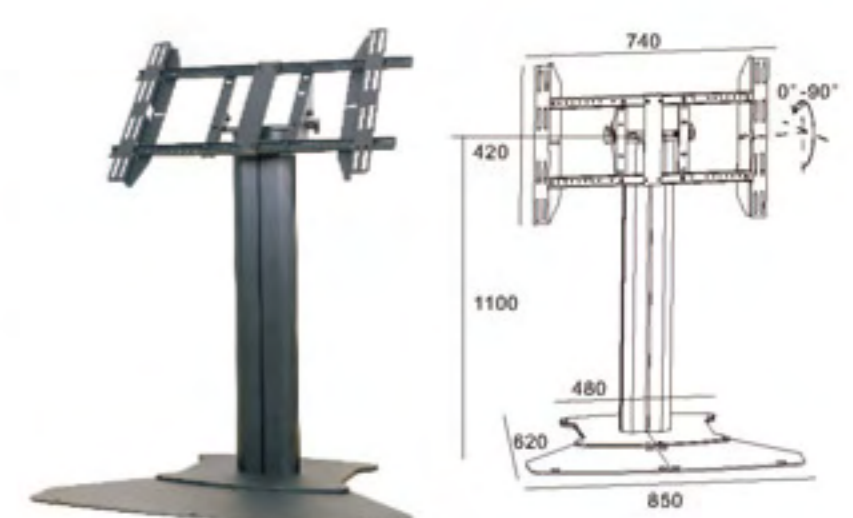
AVA 102B



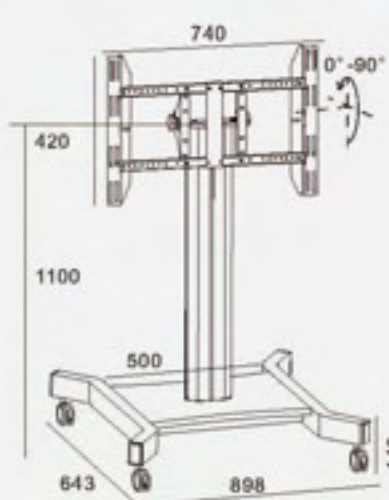
AVA 102C



AVA 102D



AVA 102F







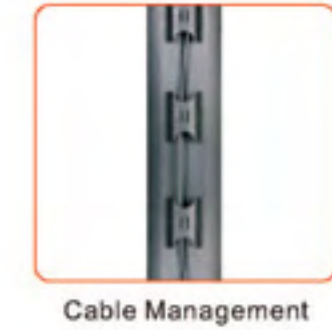
Model	Color	Material	Suggest Size	Loading Capacity	VESA Standard	Tilt	Power Rail	Cable Management
AVA 106A	Black or Silver	Alu. / SPCC	30-60"	60kgs	Max.800*400 Landscape Max.400*800 Portrait	-5° +15°	Yes	Yes
AVA 106B								
AVA 106B1								
AVA 106C								



Landscape & Portrait



Tilt



Cable Management



Power Rail





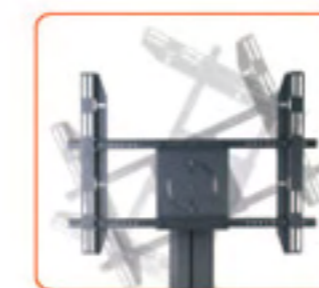
**AVA 106D**

**AVA 106E**

**AVA 106DL**

**AVA 106F**

Model	Color	Material	Suggest Size	Loading Capacity	VESA Standard	Tilt	Power Rail	Cable Management
AVA 106D	Black or Silver	Alu. / SPCC	30-60"	60kgs	Max.800*400 Landscape Max.400*800 Portrait	-5° --+15°	Yes	Yes
AVA 106E								
AVA 106DL								
AVA 106F								



Landscape & Portrait



Tilt



Cable Management



Power Rail

02



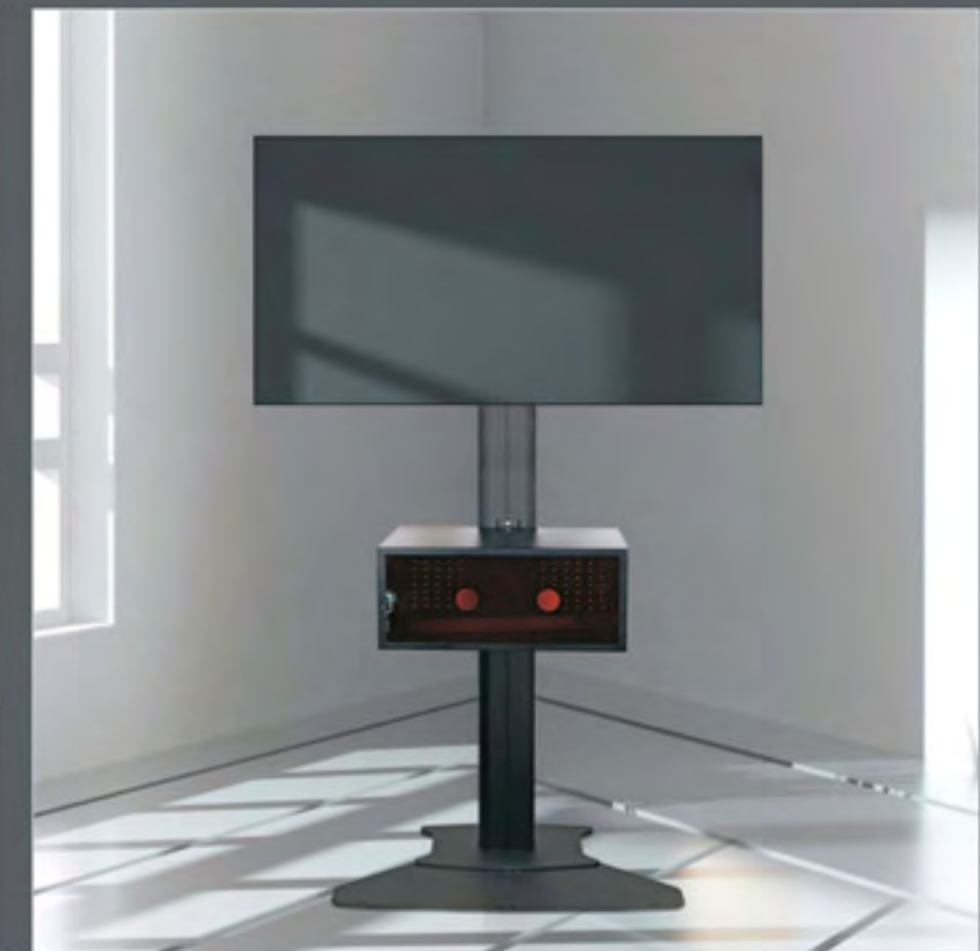


# Alu.Pillar TV Floor Stand

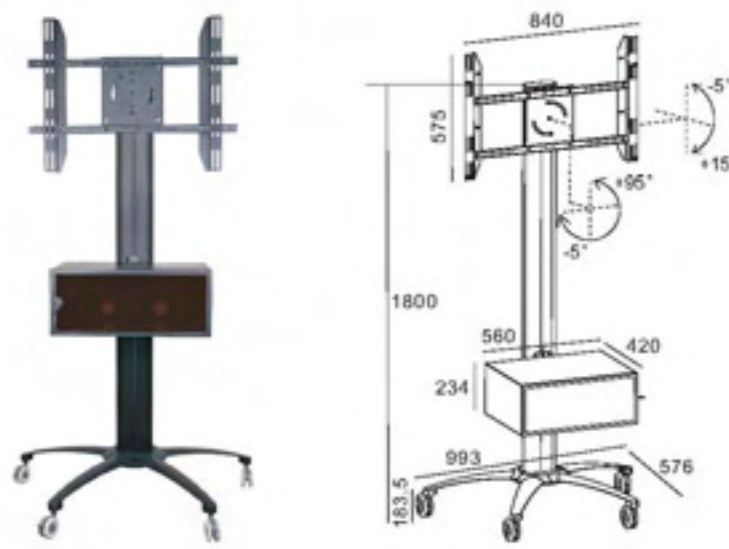


www.kf-ind.com

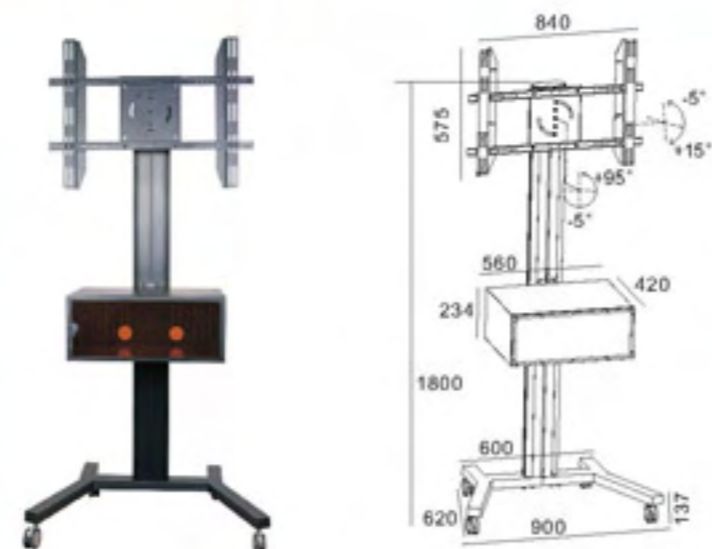
# Alu.Pillar TV Floor Stand



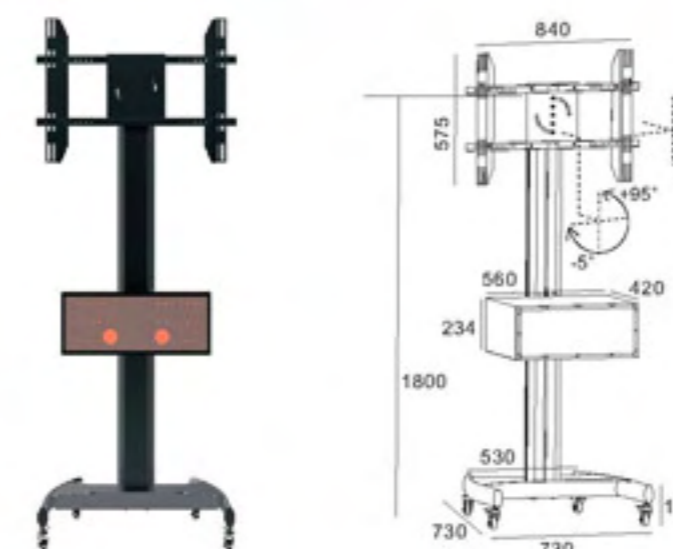
AVB 106A



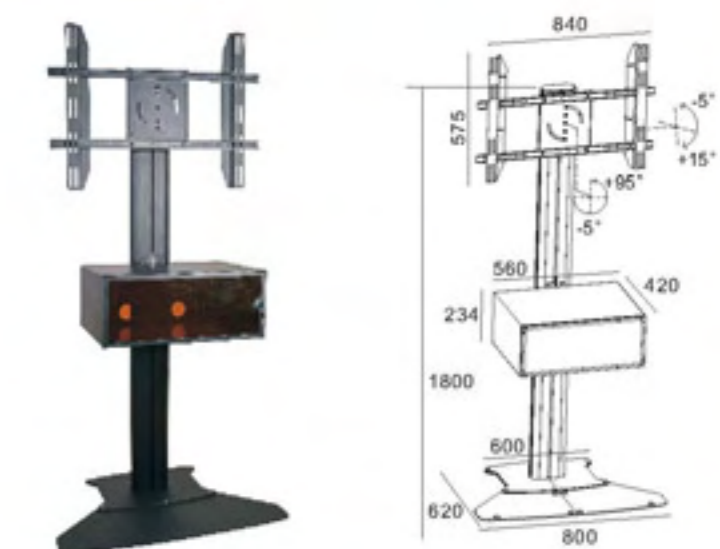
AVB 106B



AVB 106C



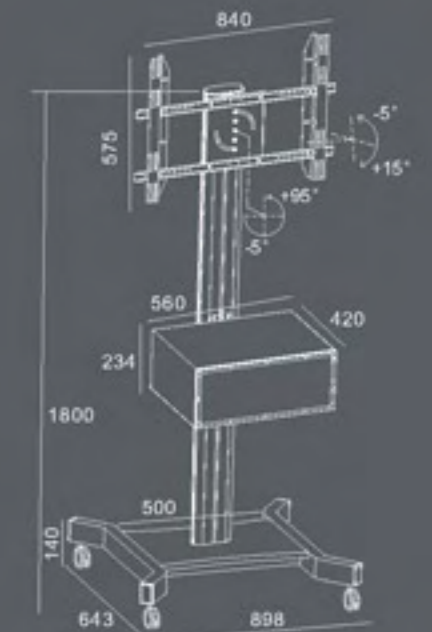
AVB 106D



Model	Color	Material	Suggest Size	Loading Capacity	VESA Standard	Tilt	Power Rail	Cable Management
AVB 106A								
AVB 106B								
AVB106C	Black or Silver	Alu. / SPCC	30-60"	60kgs	Max.800*400 Landscape Max.400*800 Portrait	-5° +15°	Yes	Yes
AVB 106D								
AVB 106F								

Height Adjustable    Tilt Adjustable    Multimedia Storage

AVB 106F



Landscape & Portrait



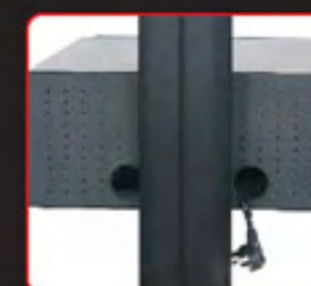
Tilt



Cable Management

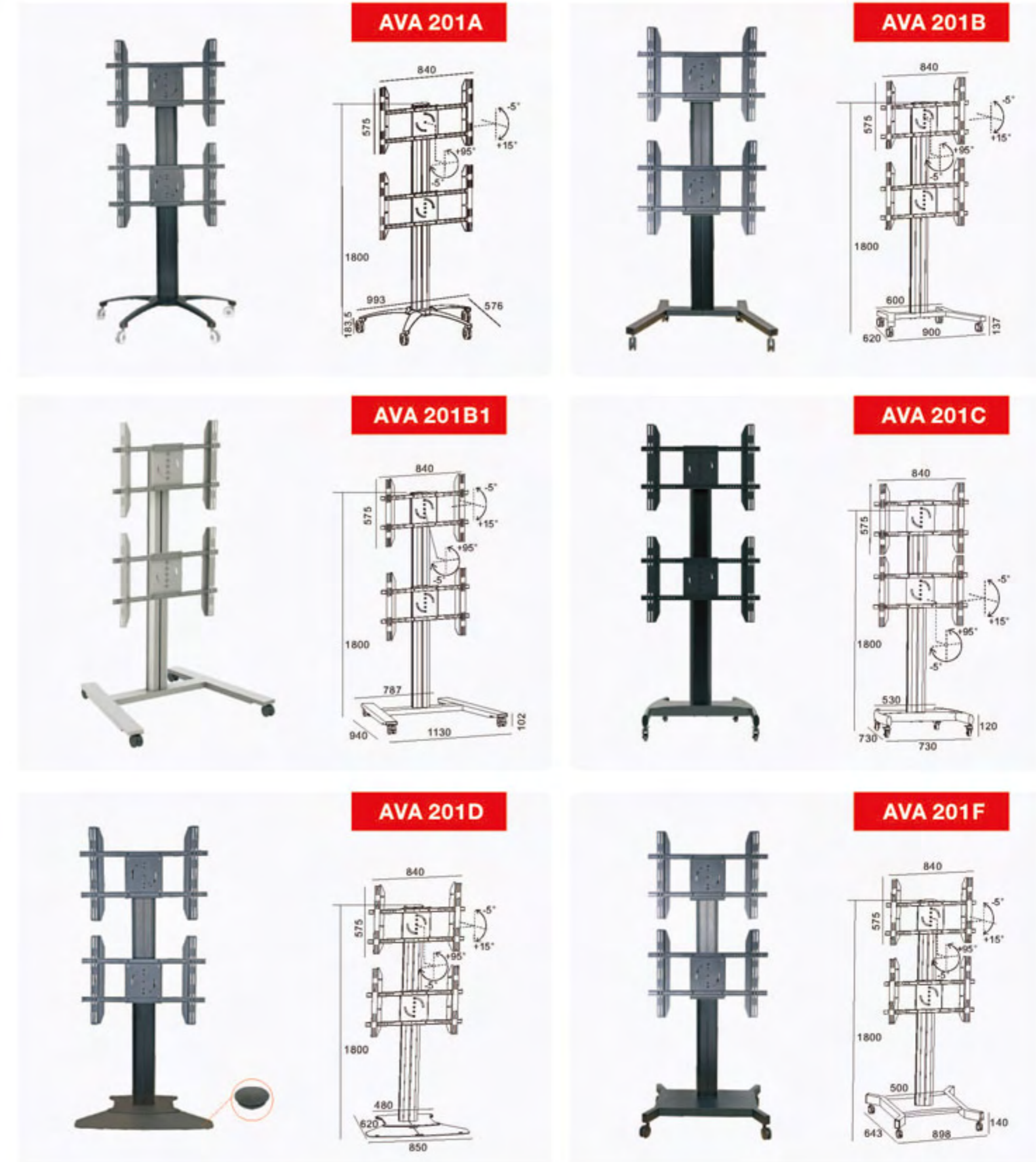


Power Rail



Media Box





Model	Color	Material	Suggest Size	Loading Capacity	VESA Standard	Tilt	Power Rail	Cable Management
AVA 201A	Black or Silver	Alu. / SPCC	30-60"	40kgs Per Monut	Max.800*500 Landscape Max.500*800 Portrait	-5° --+15°	Yes	Yes
AVA 201B								
AVA 201B1								
AVA 201C								
AVA 201D								
AVA 201F								



Landscape & Portrait



Tilt



Cable Management



Power Rail



# Alu.Pillar TV Floor Stand



www.kf-ind.com

# Alu.Pillar TV Floor Stand



Tilt



Screw Locking



Fine Tune Adjustment for Screen Level



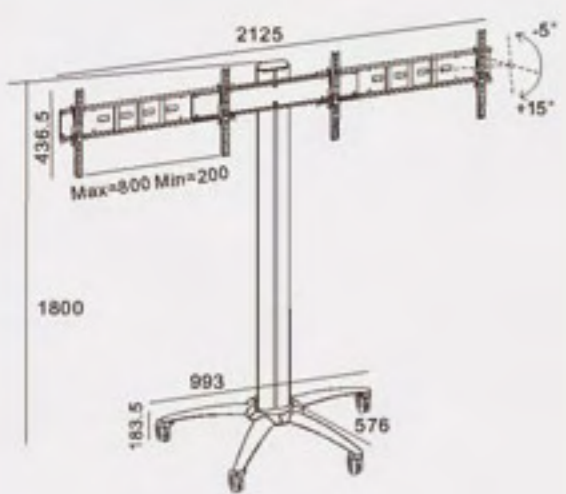
Cable Management



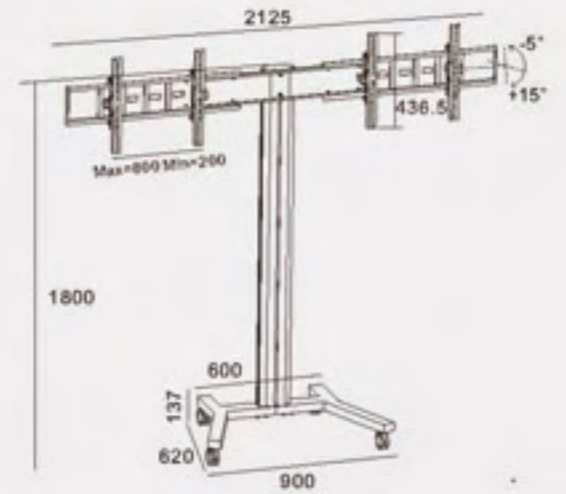
Power Rail

Model	Color	Material	Suggest Size	Loading Capacity	VESA Standard	Tilt	Power Rail	Cable Management
AVA 202A	Black or Silver	Alu. / SPCC	30-60"	40kgs Per Mount	Max.800*400 Landscape Max.400*800 Portrait	-5° ~+15°	Yes	Yes
AVA 202B								
AVA 202B1								
AVA 202C								
AVA 202D								
AVA 202F								

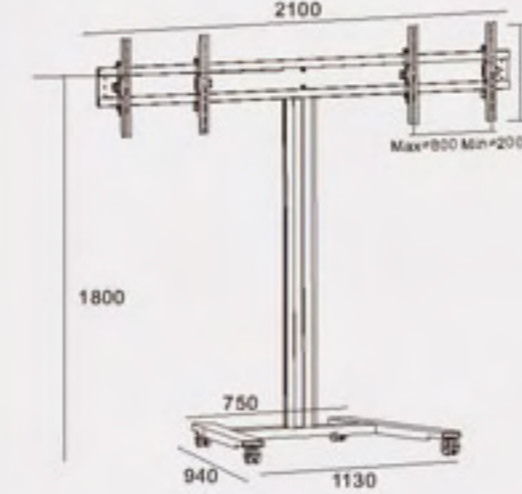
## AVA 202A



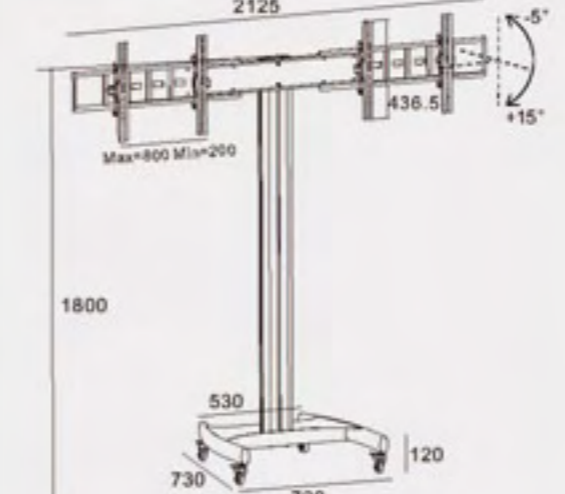
## AVA 202B



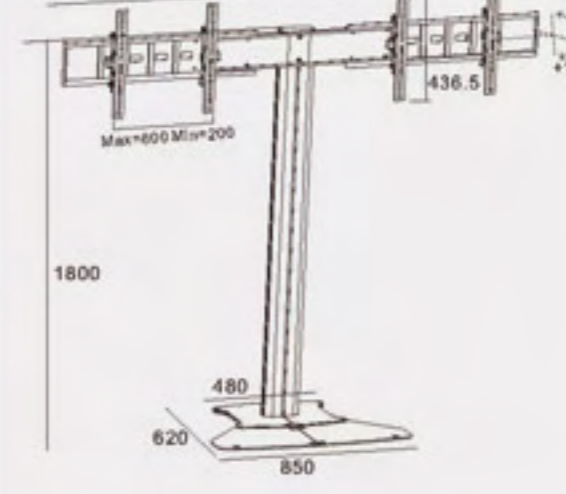
## AVA 202B1



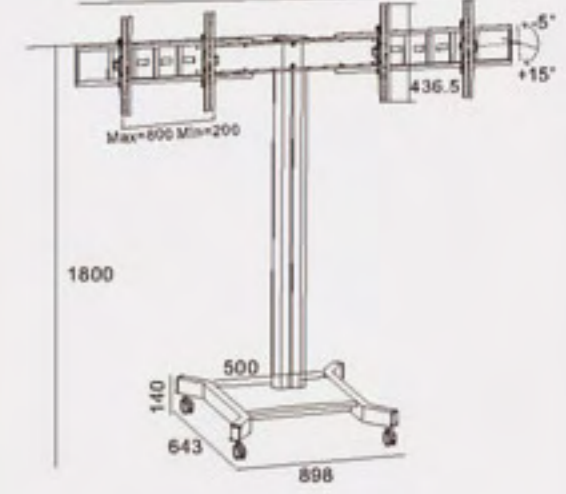
## AVA 202C



## AVA 202D



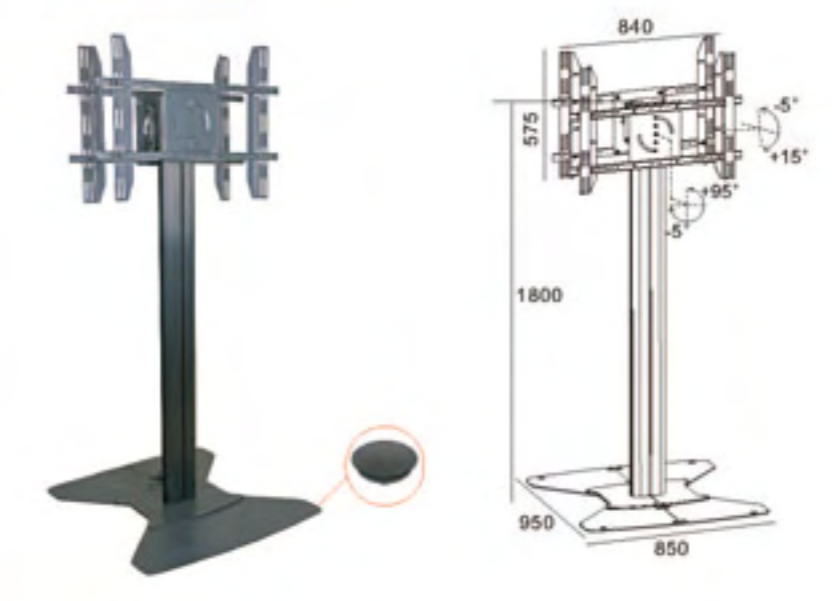
## AVA 202F



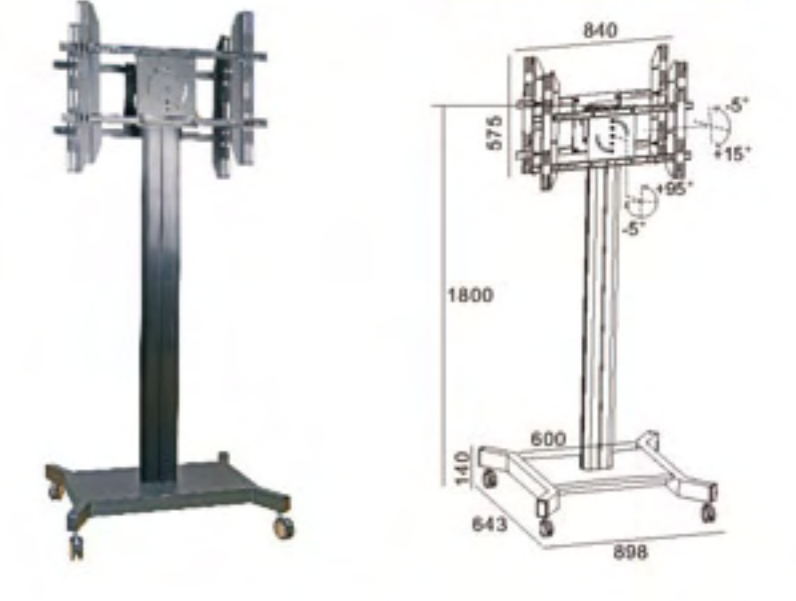




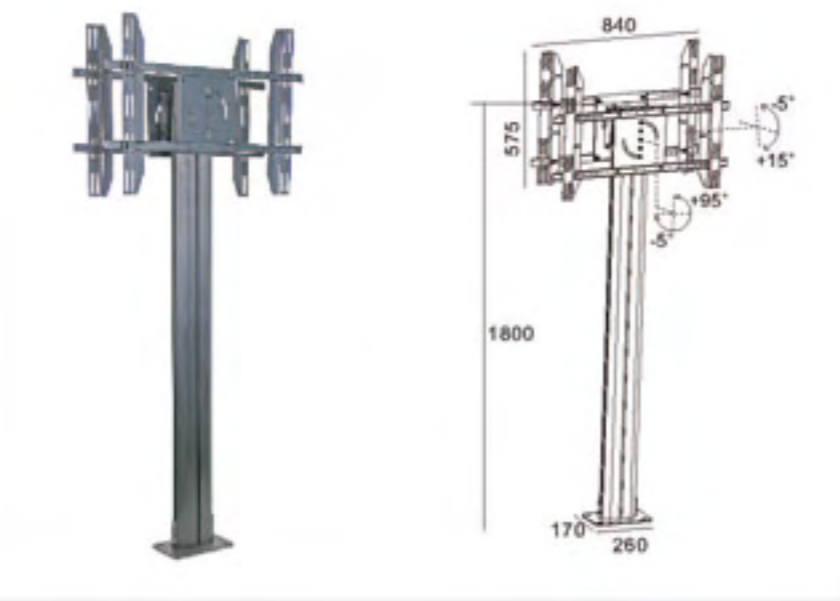
AVE 200A



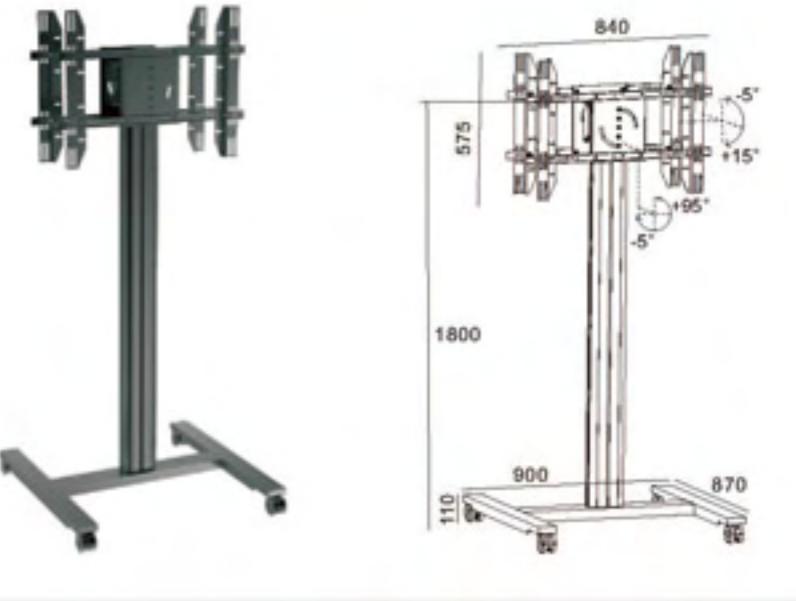
AVE 200B



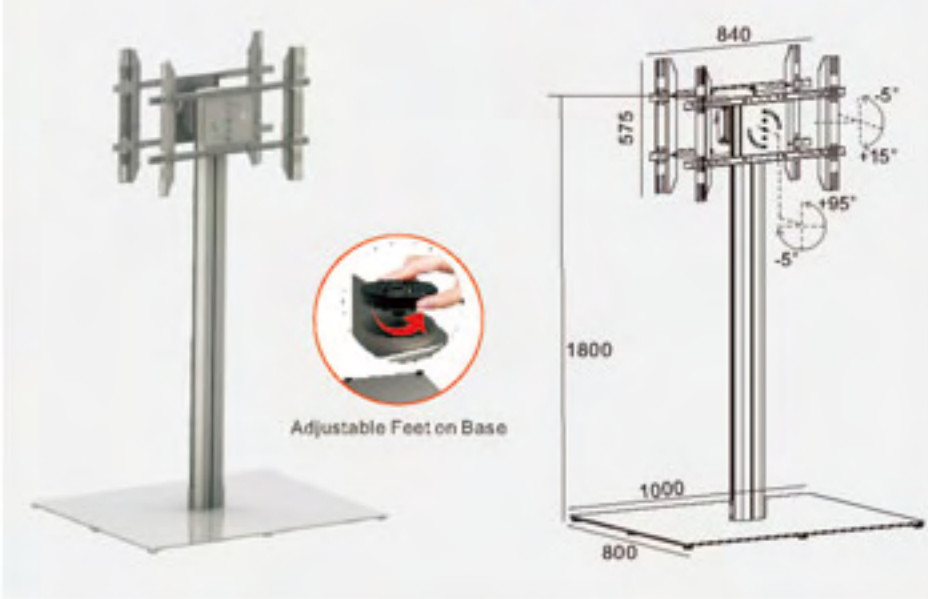
AVE 200C



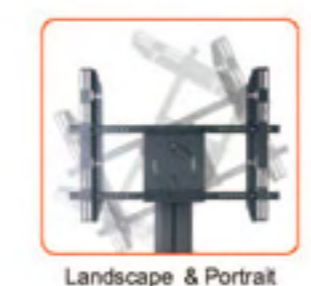
AVE 200D



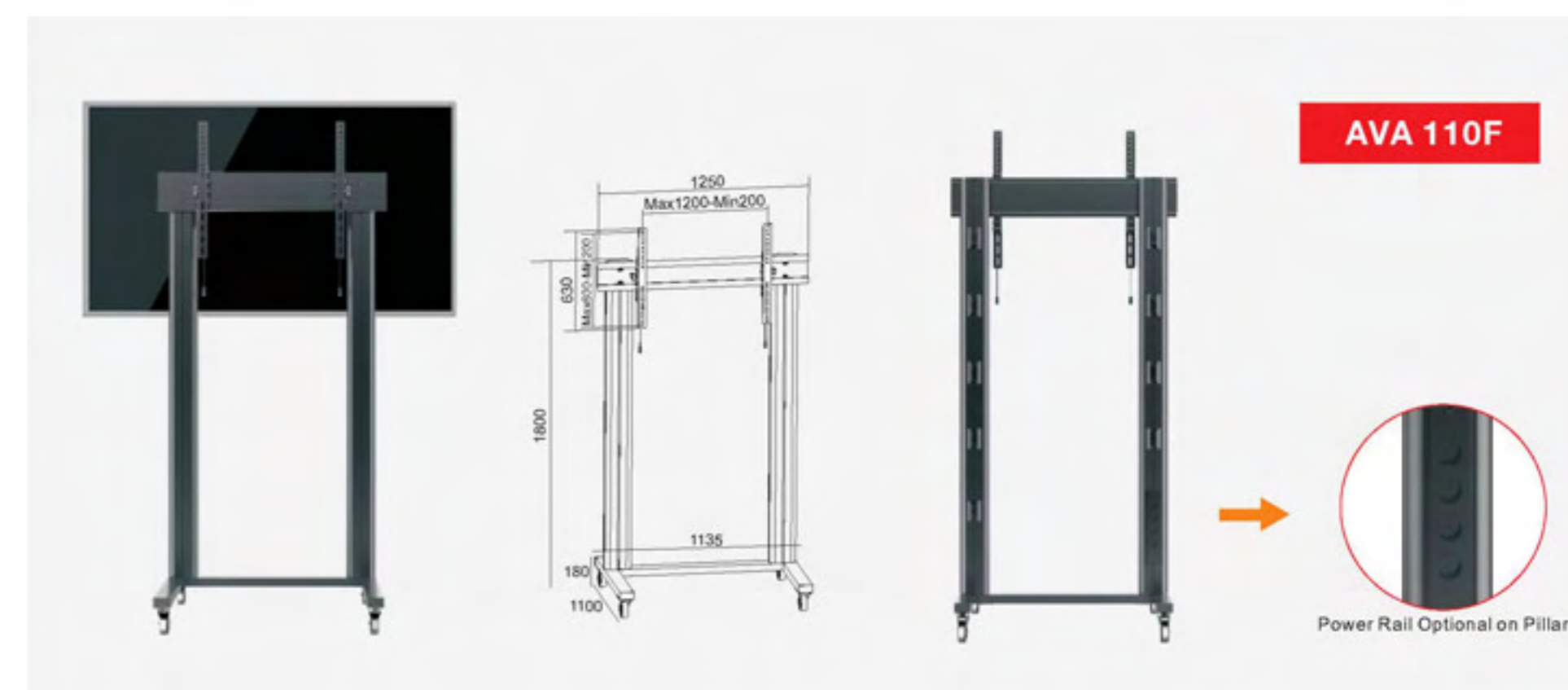
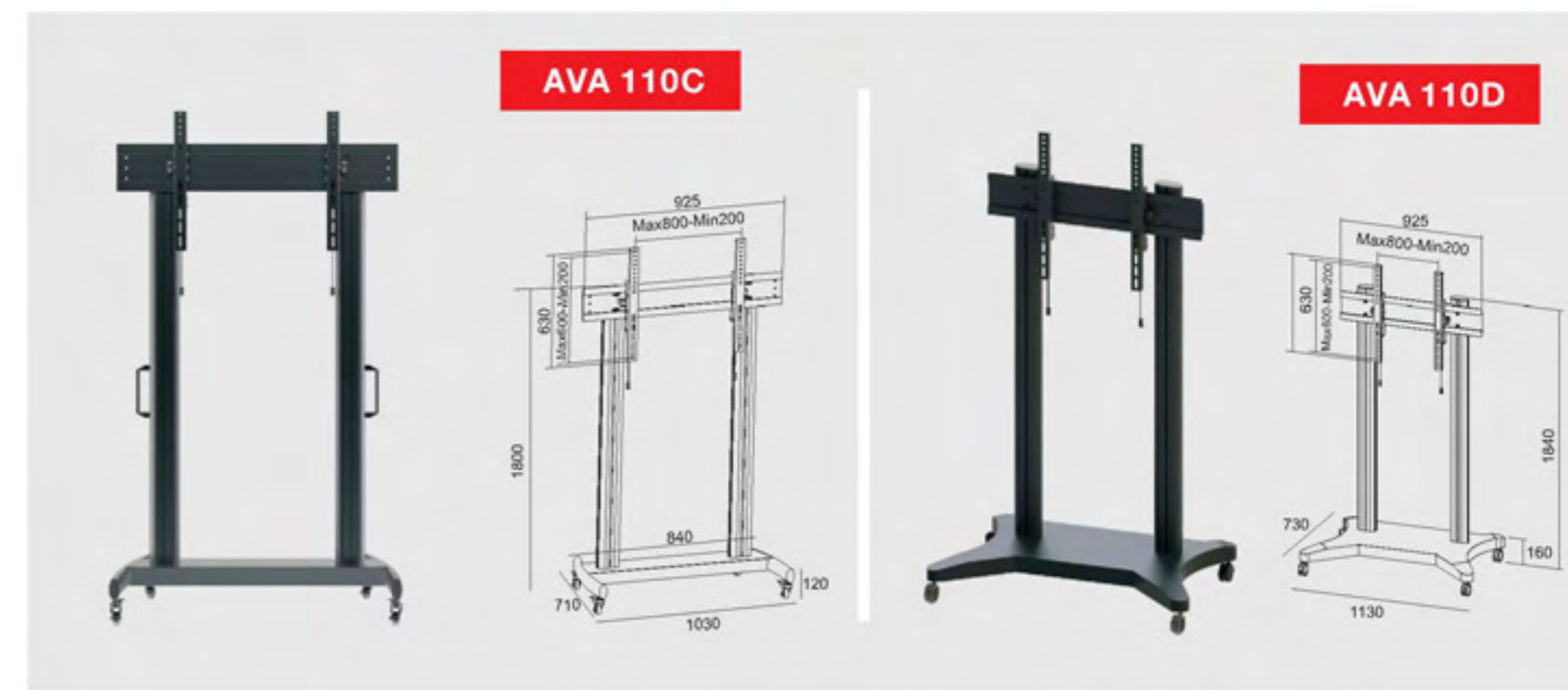
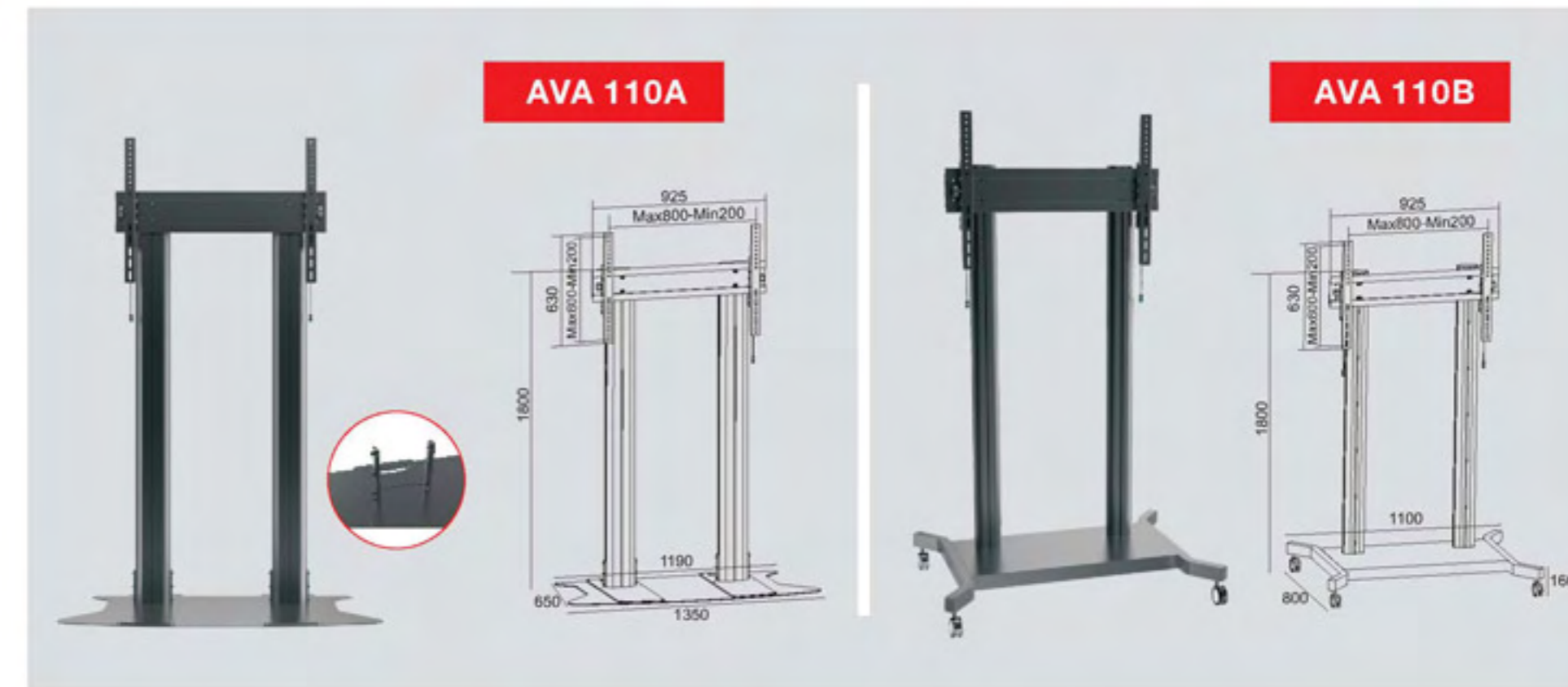
AVE 200DL



Model	Color	Material	Suggest Size	Loading Capacity	VESA Standard	Tilt	Power Rail	Cable Management
AVE 200A	Black or Silver	Alu./SPCC	30-60"	40kgs Per Monut	Max.800*400 Landscape Max.400*800 Portrait	-5° +15°	Yes	Yes
AVE 200B								
AVE 200C								
AVE 200D								
AVE 200DL								







Model	Color	Material	Suggest Size	Loading Capacity	VESA Standard	Tilt	Orientation	Power Rail	Cable Management
AVA 110A	Black or Silver	Alu. / SPCC	50-110"	125kgs	Max.800*600	-5° +-15°	Landscape	No	Yes
AVA 110B									
AVA 110C									
AVA 110D									
AVA 110F									



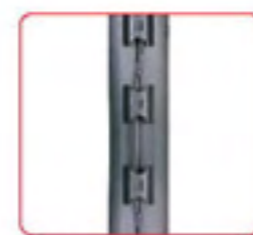
Tilt



Fine Tune Adjustment for Screen Level



Wire Locking System With Magnetic



Cable Management



Handing Bar





Model	Color	Material	Suggest Size	Loading Capacity	VESA Standard	Tilt	Orientation	Power Rail	Cable Management
AVA 120A	Black or Silver	Alu. / SPCC	50-110"	125kgs	Max.1000*600	0°	Landscape	No	Yes
AVA 120B1									



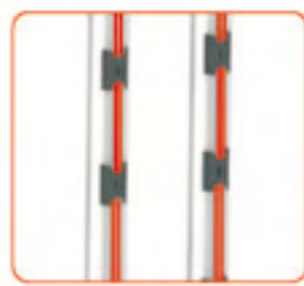
Fine Tune Adjustment for Screen Level



Wire Locking System With Magnet



Padlock Optional



Cable Management







Tilt



Fine Tune Adjustment for Screen Level



Wire Locking System With Magnet



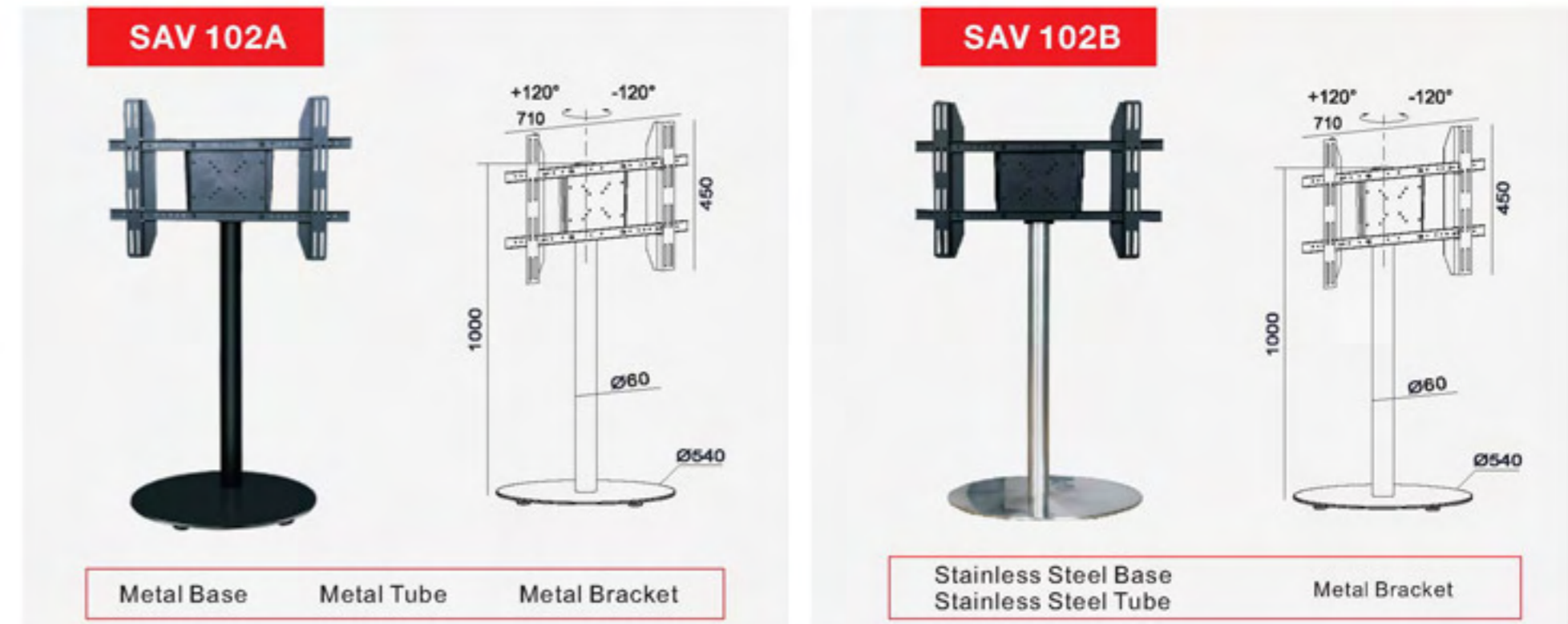
Cable Management



Power Rail

Model	Color	Material	Suggest Size	Loading Capacity	VESA Standard	Tilt	Orientation	Cable Management
AVA 702A	Black or Silver	Alu. / SPCC	55-70"	200kg	Max.800*600	-5° ~+12°	Landscape	Yes
AVA 902A			70-110"	250kg	Max.1200*900			





Model	Material	Suggest Size	Loading Capacity	VESA Standard	Orientation	Cable Management
SAV 102A	Steel	30-60"	50kg	Max.700*400	Landscape / Portrait	Yes
SAV 102B	Stainless Steel					



Landscape & Portrait



Quick Release



Height Adjustable



Cable Management



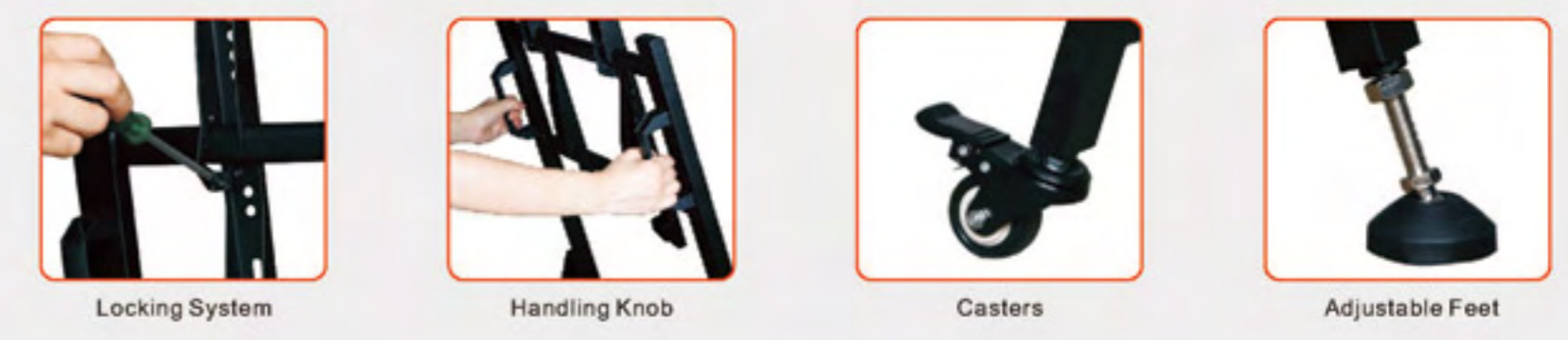
Fine Tune Feet







Model	Material	Suggest Size	Loading Capacity	VESA Standard	Tilt	Cable Management
EAS 001	Steel	30-55"	60kgs	Max.400*400 Landscape Max.400*600 Portrait	76.5°	Yes



Locking System      Handling Knob      Casters      Adjustable Feet



# Metal Pillar TV Floor Stand

GAS LIFT HEIGHT ADJUSTABLE



# Metal Pillar TV Floor Stand

**NEW Product**

Horizontal and Vertical Screen

Gas Lift Height Adjustable

Power Rail Optional on the Base.



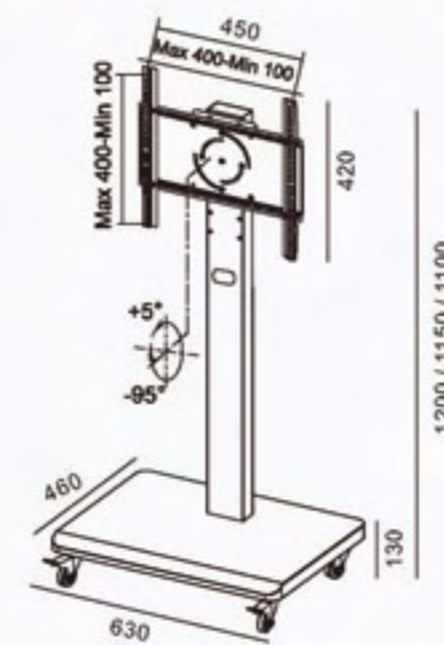
Model	Color	Material	Suggest Size	Loading Capacity	VESA Standard	Tilt	Power Rail	Cable Management
SAV 100A	Black or Silver	SPCC	30-60"	30kgs	Max.400*200 Landscape Max.200*400 Portrait	-5° -+15°	Yes	No



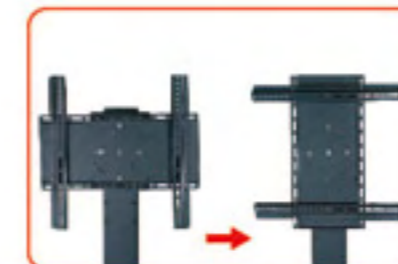


SAV 100B

NEW Product



Model	Color	Material	suggest size	Loading Capacity	VESA Standard	Orientation	Tilt	Power Rail	Cable Management
SAV 100B	Black or Silver	SPCC	32-65"	50kgs	Max.400*400	Landscape /Portrait	0°	No	Yes



Landscape & Portrait



Thickened Base



Cable Management



Brake Castor





Excellent detail



Optional  
Camera Shelf



Storage Box



Brake Castor



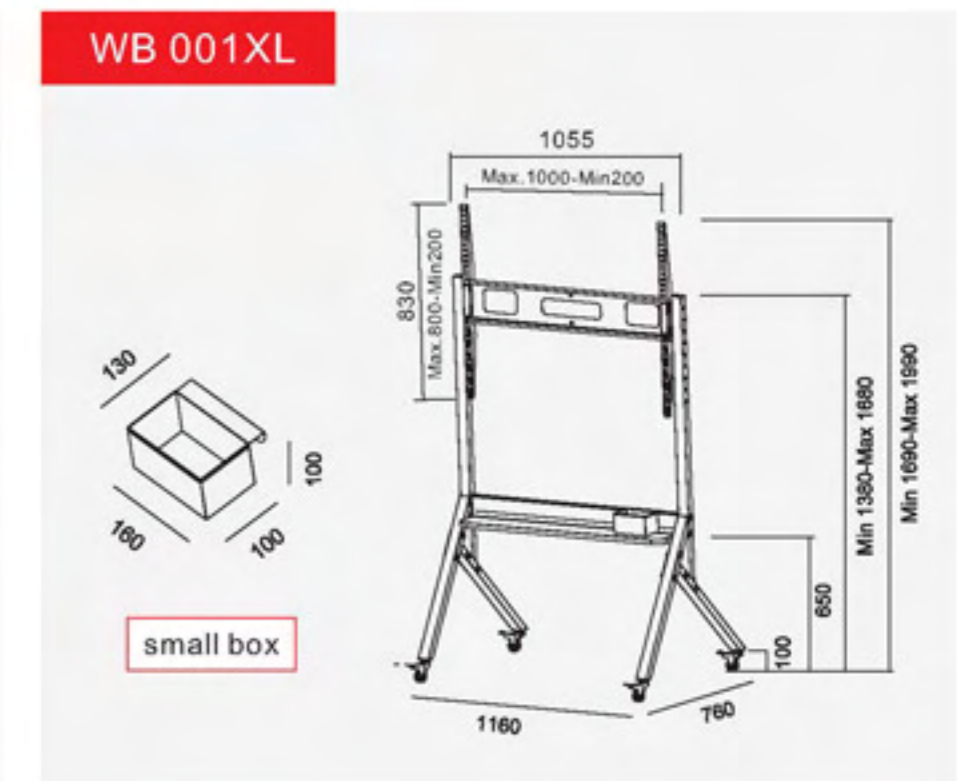
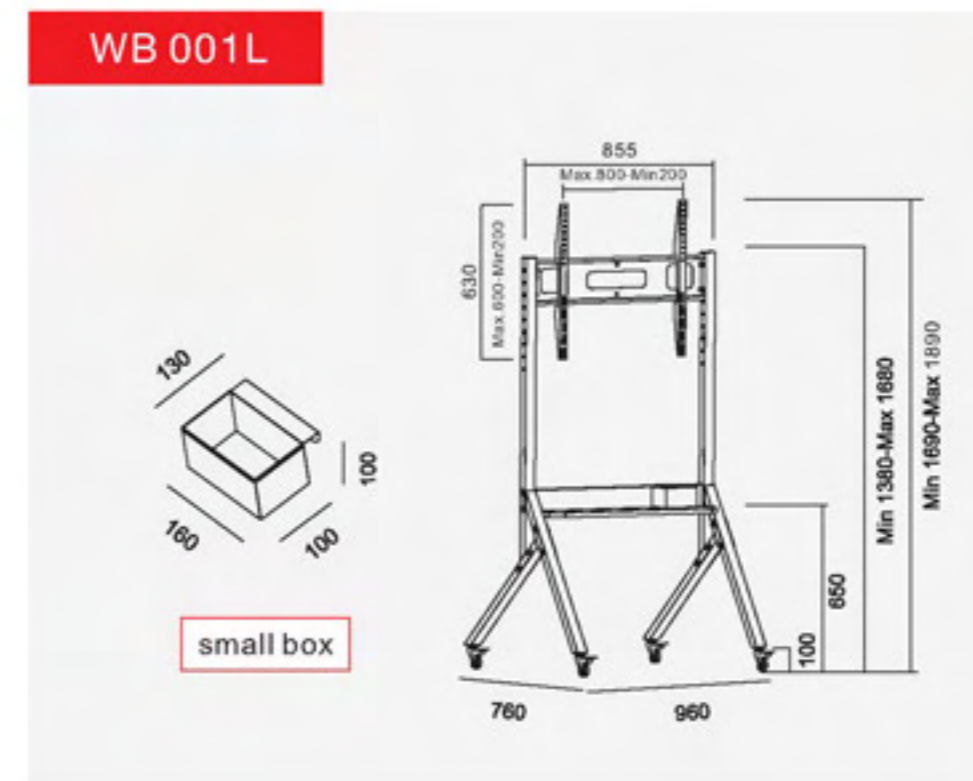
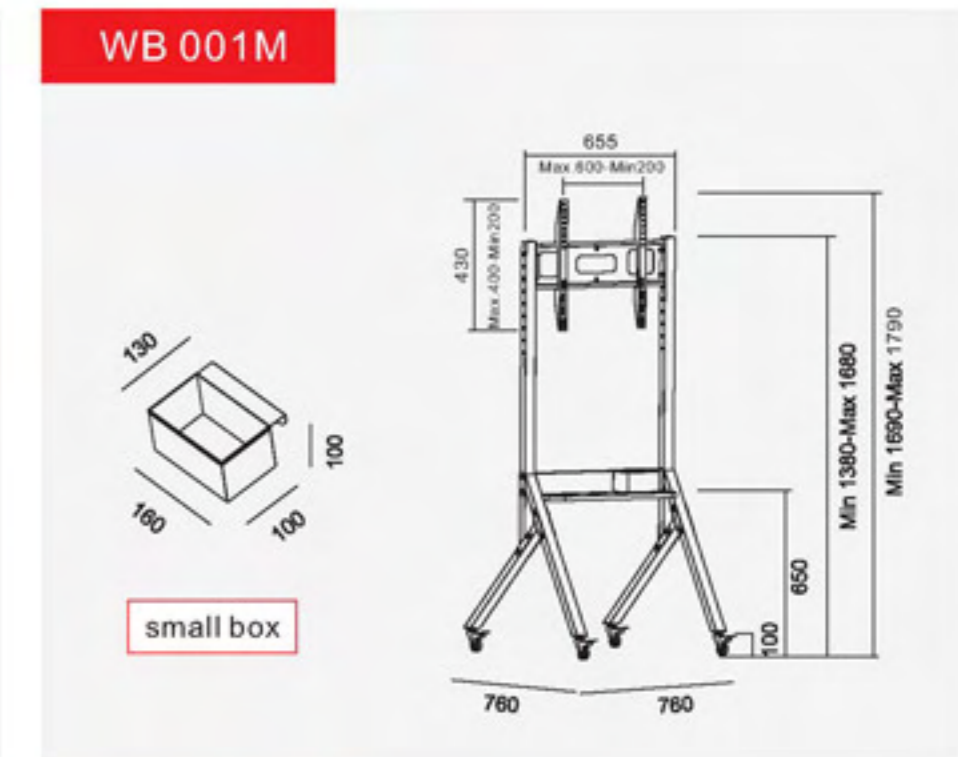
Front Shelf  
150mm

Model	Color	Material	Suggest Size	Loading Capacity	VESA Standard	Tilt	Orientation
WB 001M	Black or Silver	SPCC	30-60"	125kg	Max.600*400	0°	Landscape
WB 001L			70-110"		Max.800*600		
WB 001XL			85-110"		Max.1000*800		



TV TROLLEY

Three sizes to choose from, strong versatility, as small as 30 inches, as large as 110 inches TV stand cart







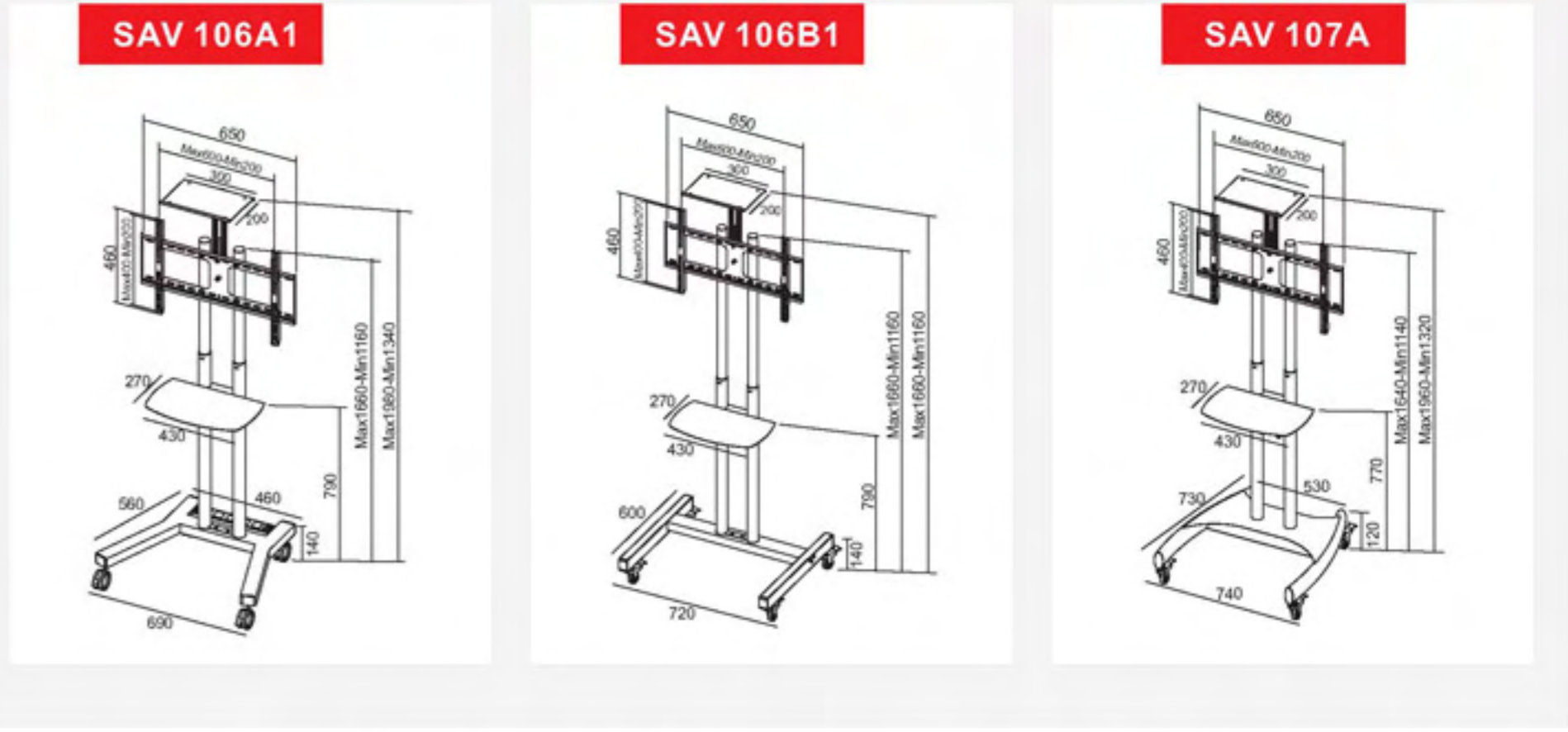
Screw Locking



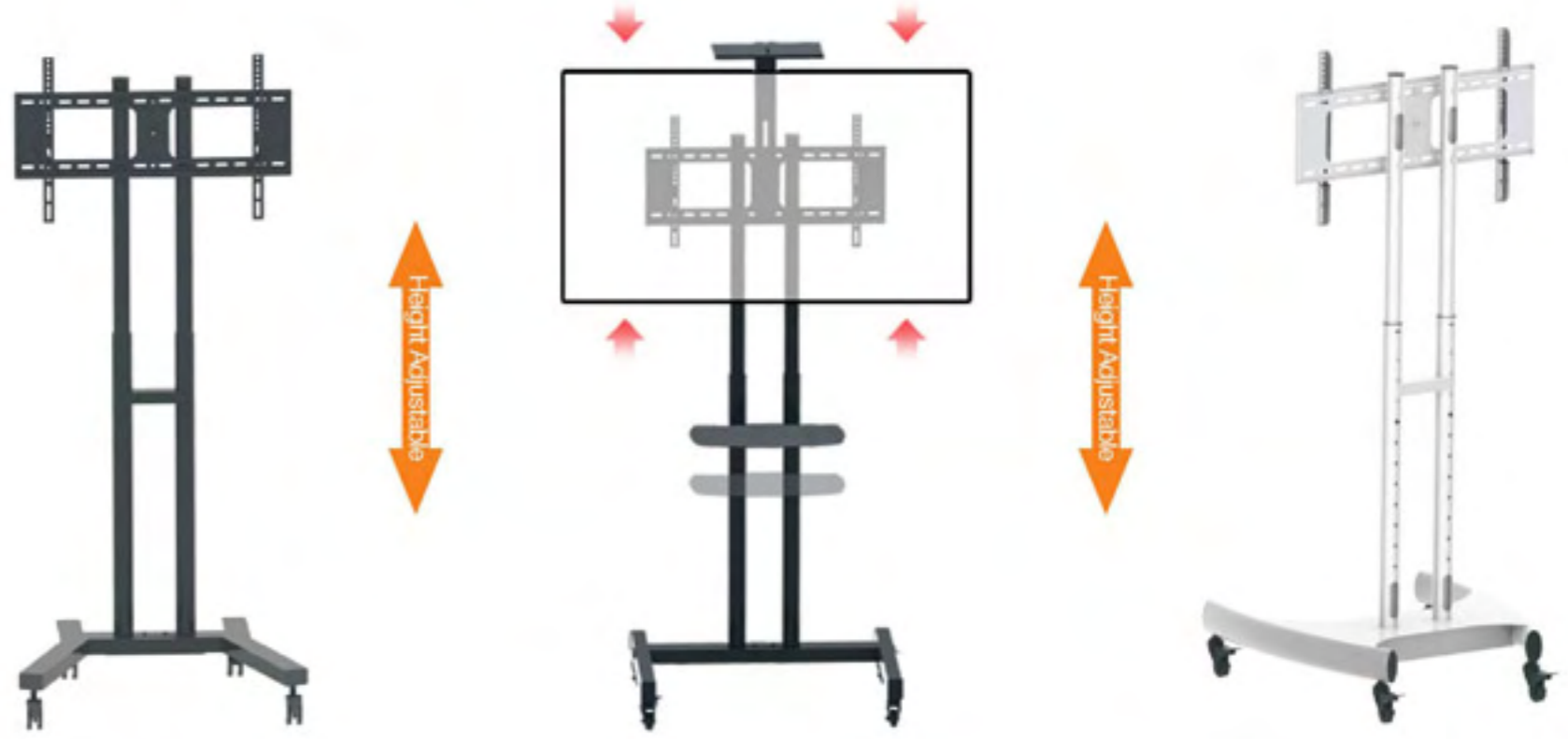
Telescopic Tube Height Adjustable



Cable Management



Model	Color	Material	Suggest Size	Loading Capacity	VESA Standard	Tilt	Orientation	Power Rail	Cable Management	Telescopic Tube
SAV 106A1	Black or Silver	SPCC	30-60"	50kgs/Bracket	Max.600*400	0°	Landscape	Optional on Base	Yes	Yes
SAV 106B1				5kgs/DVD Shelf						
SAV 107A				5kgs/Camera Shelf						



Power Rail Optional on Base



Camera Holder

Optional Part:



Codec Shelf







Height Adjustable



**SAV 107C**

Optional Part:



Camera Holder



Codec Shelf



Height Adjustable



Model	Color	Material	Suggest Size	Loading Capacity	VESA Standard	Tilt	Orientation	Power Rail	Cable Management	Telescopic Tube
SAV 107C	Black or Silver	SPCC	30-60 *	50kgs/Bracket 10kgs/Box	Max.600*400	0°	Landscape	Optional on Base	Yes	Yes
SAV 108A			37-70 *	5kgs/DVD Shelf 5kgs/Camera Shelf						No



Screw Locking



Telescopic Tube Height Adjustable



Cable Management



Cable Management



## Metal Pillar TV Floor Stand



Model	Color	Material	Suggest Size	Loading Capacity	VESA Standard	Tilt	Orientation	Power Rail	Cable Management	Telescopic Tube
SAV 110A	Black or Silver	SPCC	70-110"	125kgs	Max.800*600	-5° ~+15°	Landscape	No	Yes	No

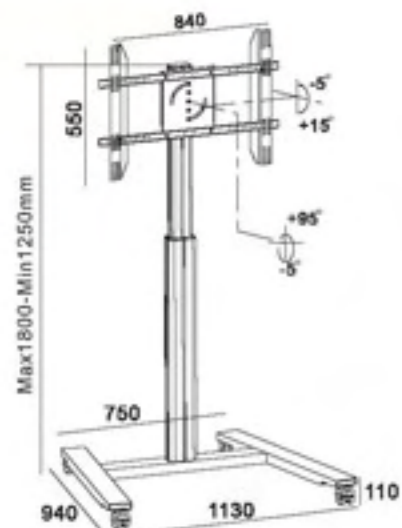


## Motorized TV Floor Stand

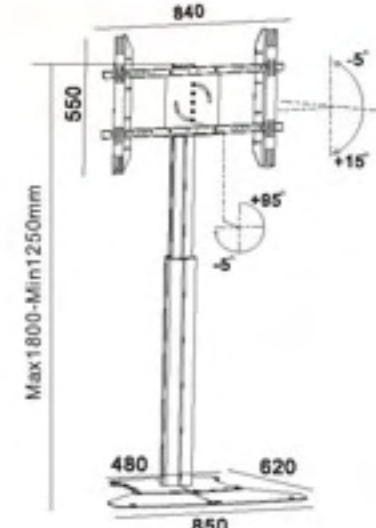




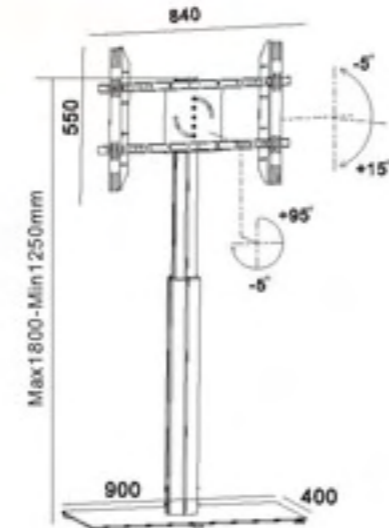
MT 001A



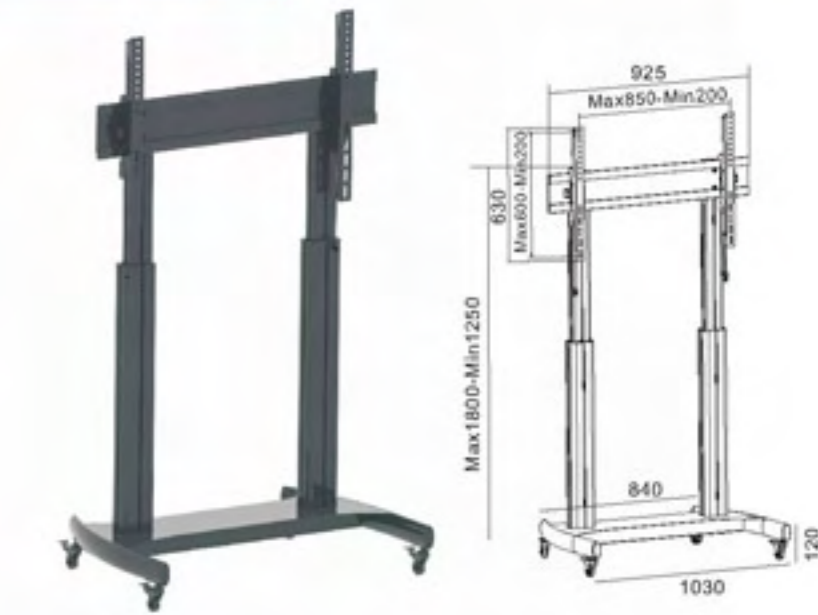
MT 001D



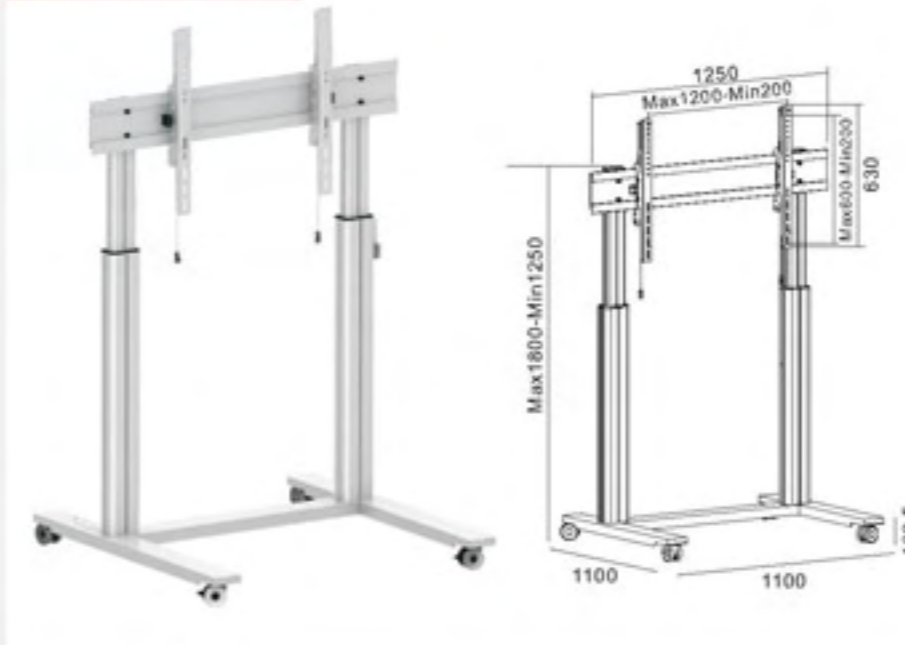
MT 001E



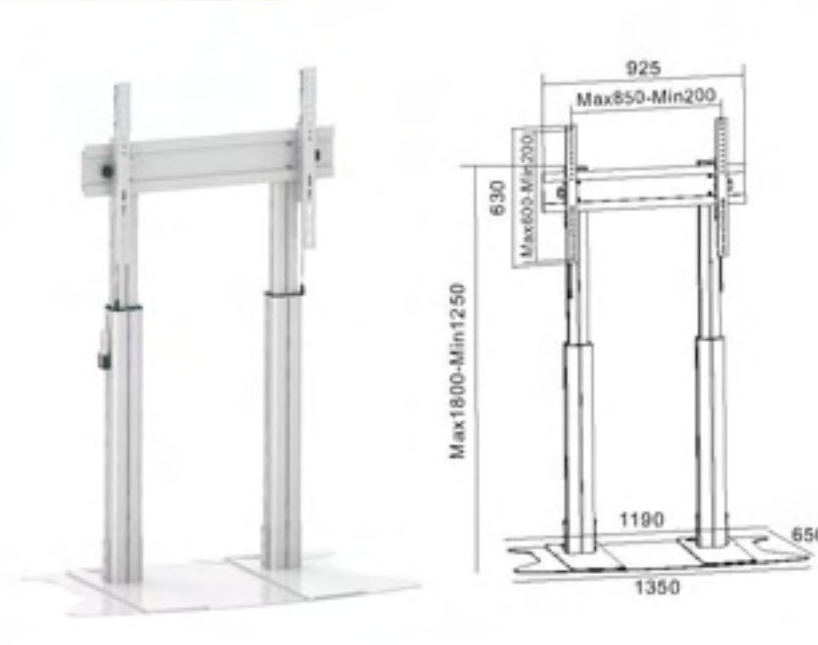
MT 002B



MT 002A



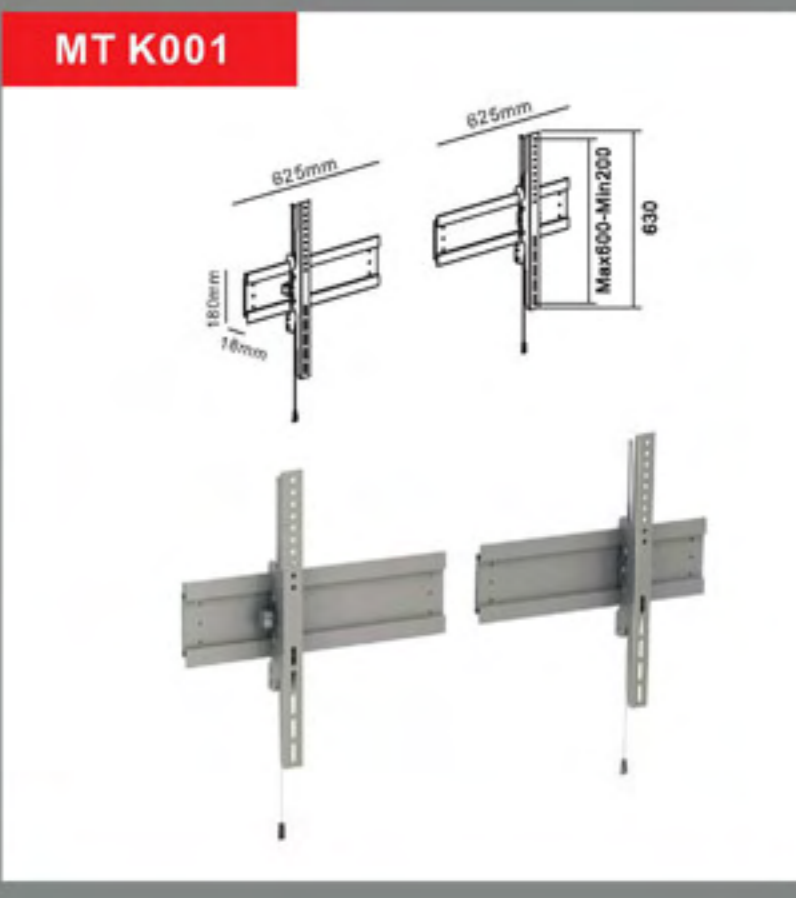
MT 002E



Model	MT 001A / MT 001D / MT001E
Color	Black or Silver
Material	Alu. / SPCC
Suggest Size	32-70"
Loading Capacity	80kgs
Optional Parts	Codec Shelf
Screen Adjustable Tilt	-5° - +15°
Height	Min. 1250mm-Max1800mm
Lift Distance	450mm
Lift Speed	15mm Per Second
Input Power	AC 220-240V, Max 6A
Output	12V DC 2A
Frequency	2.4G HZ
Remote Control Distance	Max 15 Meters
VESA Standard	Max.800(L)*400(W)mm / Min 200*200
Orientation	Landscape / Portrait
Features	Cable Management


Model	MT 002A / MT 002B / MT002E
Color	Black or Silver
Material	Alu. / SPCC
Suggest Size	47-94"
Loading Capacity	125kgs
Optional Parts	Codec Shelf
Screen Adjustable Tilt	-5° - +15°
Height	Min. 1250mm-Max1800mm
Lift Distance	450mm
Lift Speed	15mm Per Second
Input Power	AC 220-240V, Max 6A
Output	12V DC 2A
Frequency	2.4G HZ
Remote Control Distance	Max 15 Meters
VESA Standard	Max.800(L)*600(W)mm / Min 200*200
Orientation	Landscape
Features	Cable Management

Model	MT K001
Color	Black or Silver
Material	Alu. / SPCC
Suggest Size	30-65"
Loading Capacity	60kgs Per Screen
Screen Adjustable Tilt	10 degree
Horizontal Length After Mount On Dual Pillar	2500mm
Vertical Arm Hole Size	Max 600mm W / M10 hole
Vesa Standard After Mount On Dual Pillar	Max.800(L)*600(W)mm / Min 200*200
Orientation	Landscape
Features	Cable Management











Flip Fixed Position



4 Outlet Power Rail Mount on Base



Castors

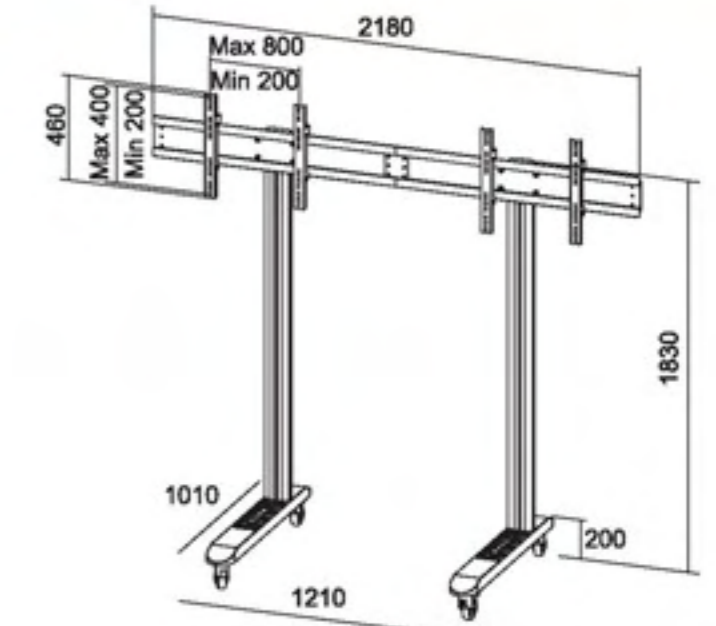
Model	MT 680
Material	SPCC
Suggest Size	42-75"
Loading Capacity	100kgs
Tilt	0-45-90 degree
Height	750mm-1400mm
Lift Distance	650mm
Lift Speed	Lifting 28mm Per Second, Rotation 11mm Per Second
Input Power	220-240V
Output	29V
Frequency	50Hz
Remote Control Distance	15m
VESA Standard	Max 800*600mm





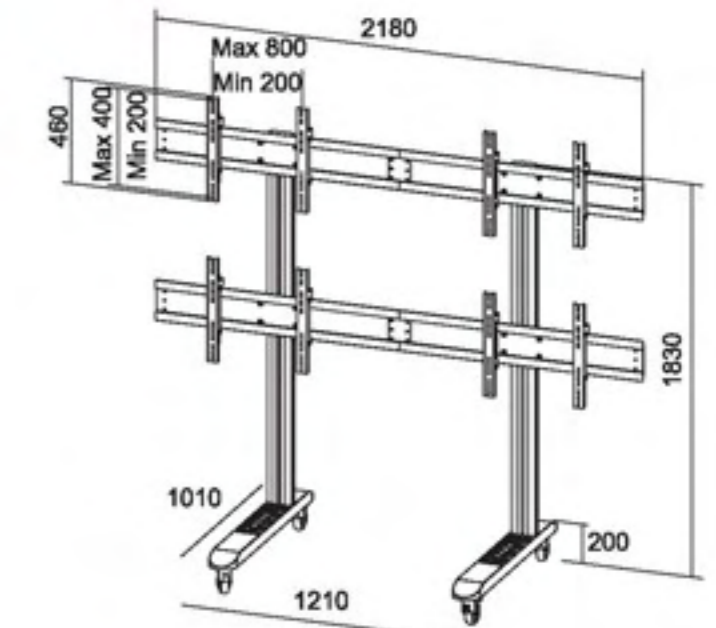
NEW Product

AW 2\*1



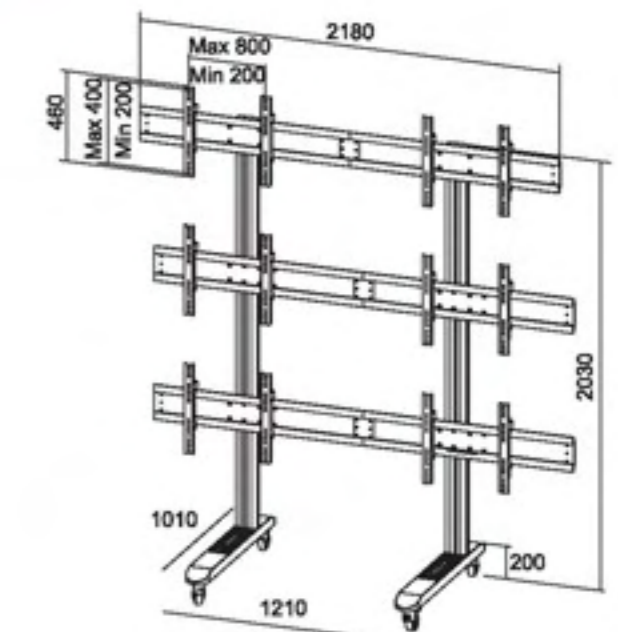
NEW Product

AW 2\*2



NEW Product

AW 2\*3



AW 2\*1

AW 2\*2

AW 2\*3



Both Included



Power Rail Optional on Base



Depth Adjustment 15mm  
Height Adjustment 15mm



Locking System



Cable Management

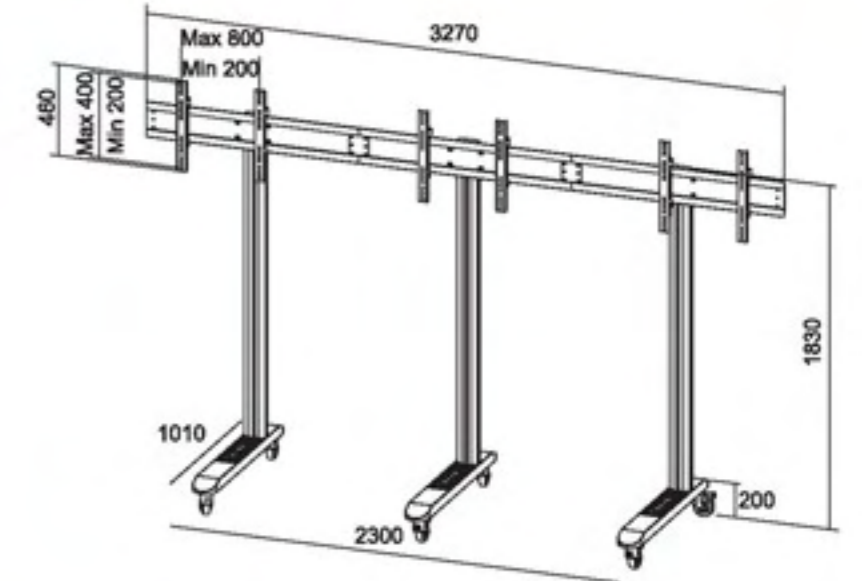
Model	Material	Suggest Size	Loading Capacity	VESA Standard	Orientation	Power Rail	Cable Management
AW 2*1	Alu. / SPCC	30-55 "	40kgs Per Mount	Max.800*400	Landscape	Optional on Base	Yes
AW 2*2							
AW 2*3							





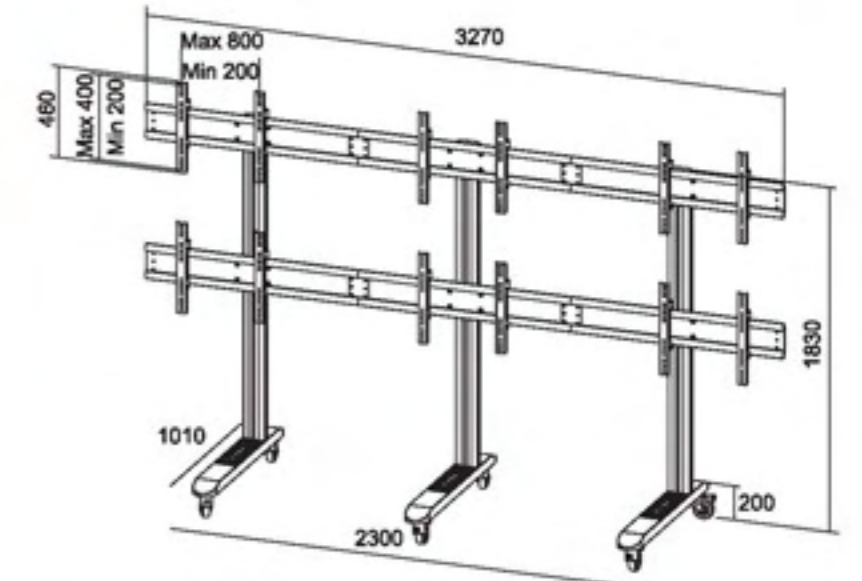
NEW Product

AW 3\*1



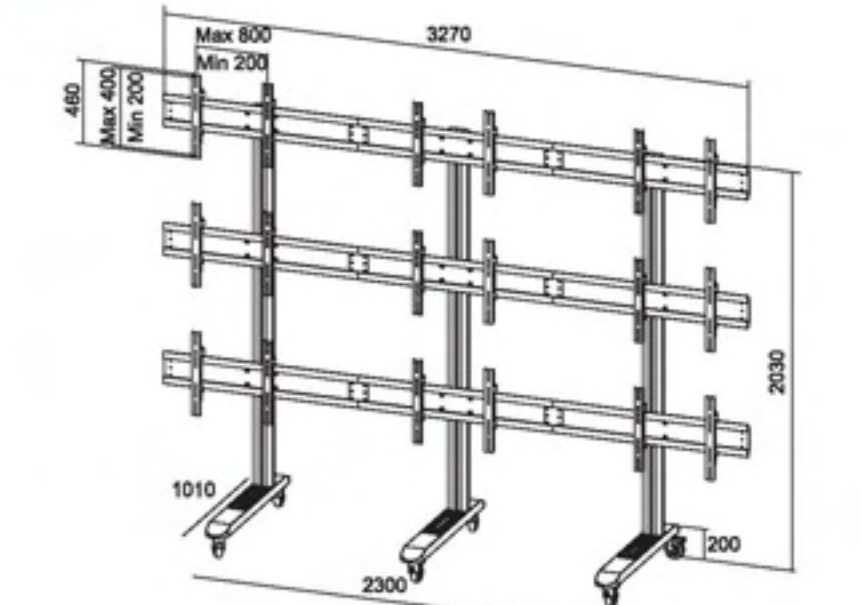
NEW Product

AW 3\*2



NEW Product

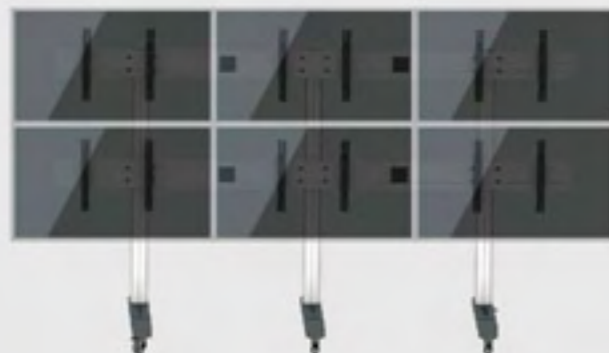
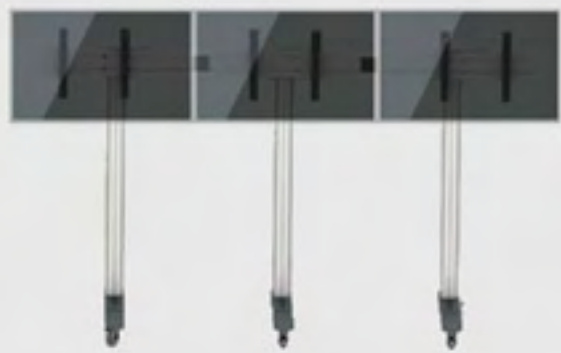
AW 3\*3



AW 3\*1

AW 3\*2

AW 3\*3



Both Included



Power Rail Optional on Base



Depth Adjustment 15mm  
Height Adjustment 15mm



Locking System



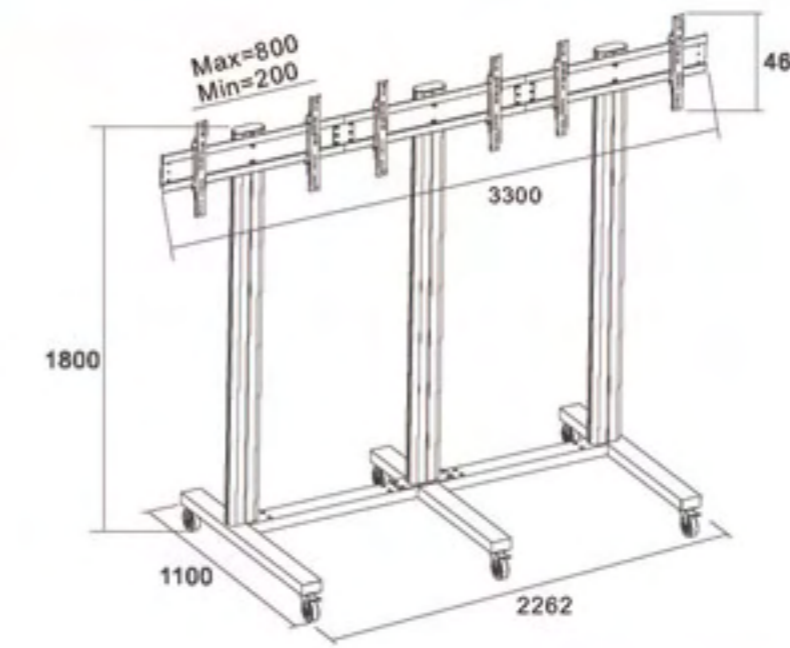
Cable Management

Model	Material	Suggest Size	Loading Capacity	VESA Standard	Orientation	Power Rail	Cable Management
AW 3*1	Alu. / SPCC	30-55 "	40kgs Per Mount	Max.800*400	Landscape	Optional on Base	Yes
AW 3*2							
AW 3*3							

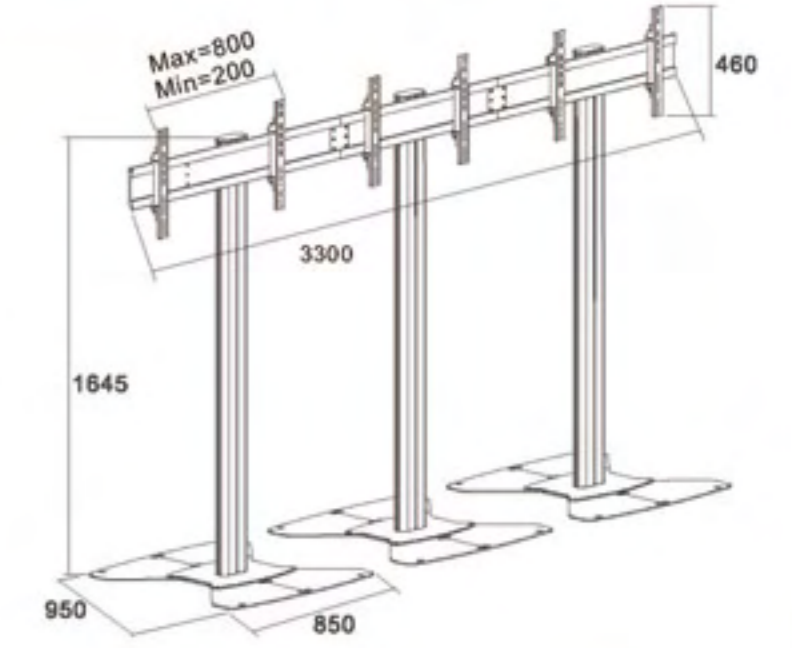




AW 300



AW 300A



Depth Adjustment 15mm  
Height Adjustment 15mm



Locking System



Power Rail

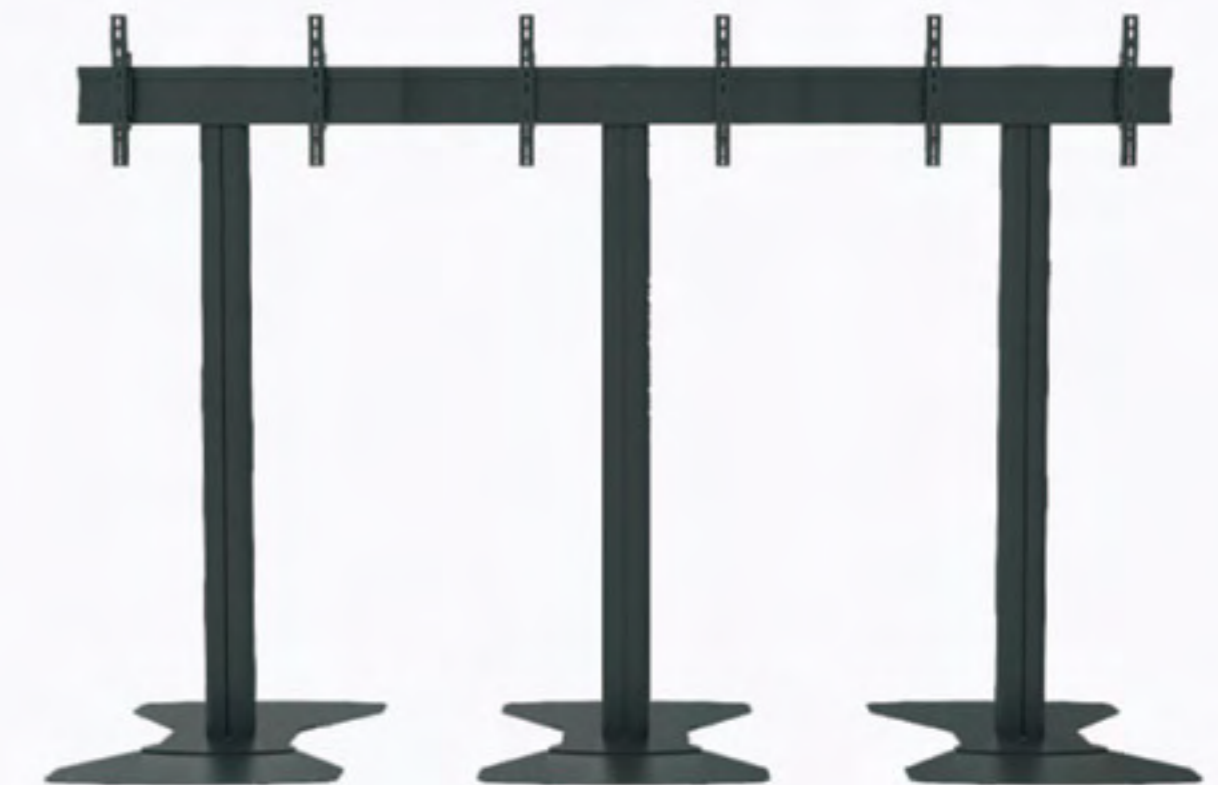


Cable Management

Model	Color	Material	Suggest Size	Loading Capacity	VESA Standard	Orientation	Power Rail	Cable Management
AW 300	Black or Silver	Alu. / Metal	30-55 "	40kgs Per Mount	Max.800*400	Landscape	Built Into The Pillar	Yes
AW 300A								



- Landscape
- Wheelbase



- Landscape
- Floorbase

We can purchase all kinds of different TV stands with different base optionally according to the actual requirement





Depth Adjustment 15mm  
Height Adjustment 15mm



Locking System



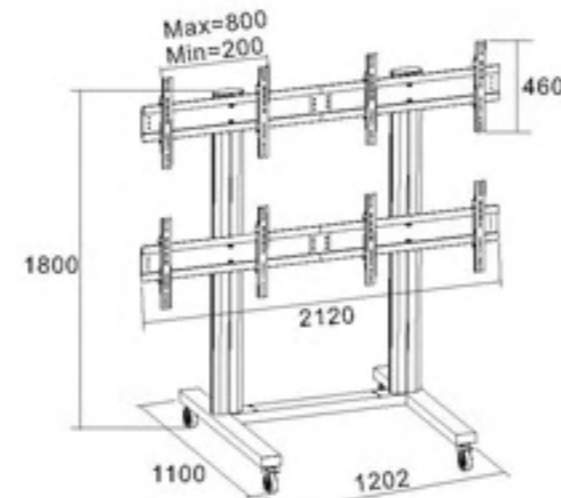
Power Rail



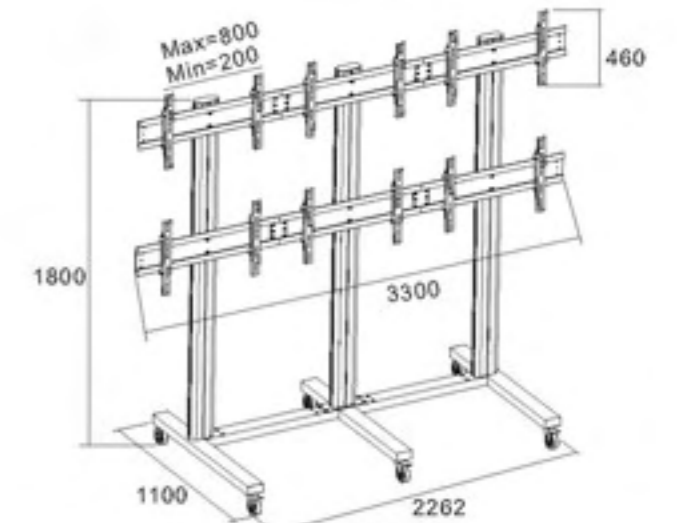
Cable Management

Model	Color	Material	Suggest Size	Loading Capacity	VESA Standard	Orientation	Power Rail	Cable Management
AW 400	Black or Silver	Alu. / Metal	30-55 "	40kgs Per Mount	Max.800*400	Landscape	Built Into The Pillar	Yes
AW 400A								
AW 600								
AW 600A								

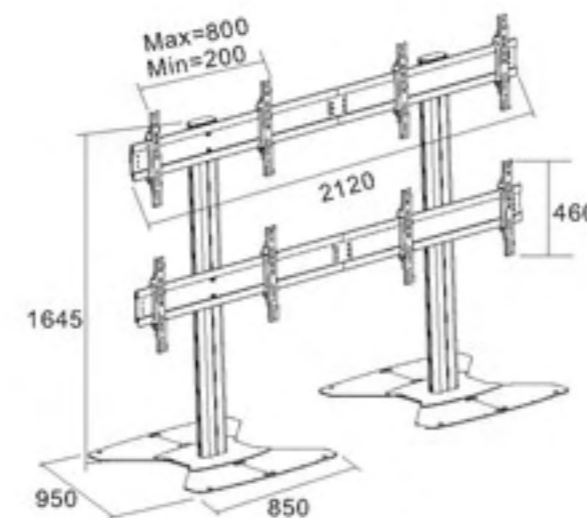
AW 400



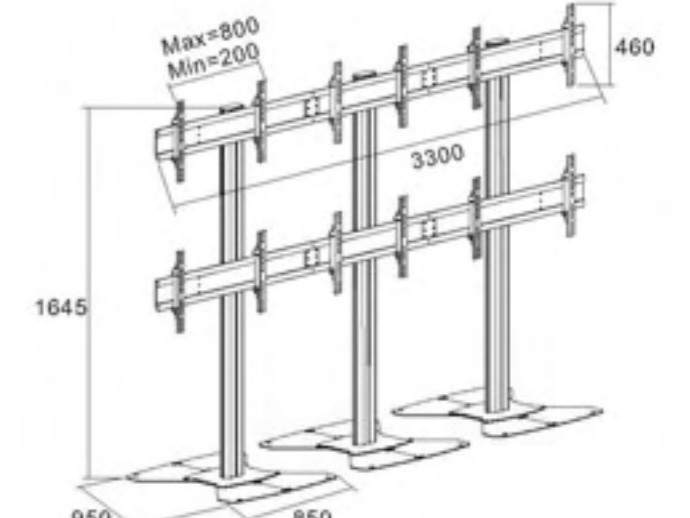
AW 600



AW 400A



AW 600A







Depth Adjustment 15mm  
Height Adjustment 15mm



Locking System

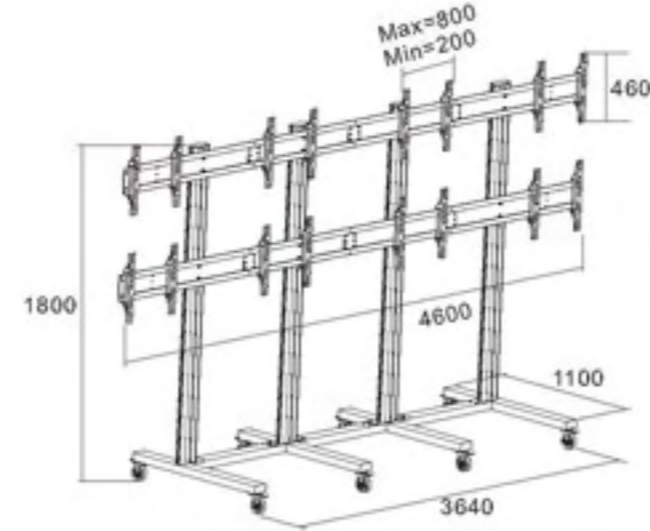


Power Rail

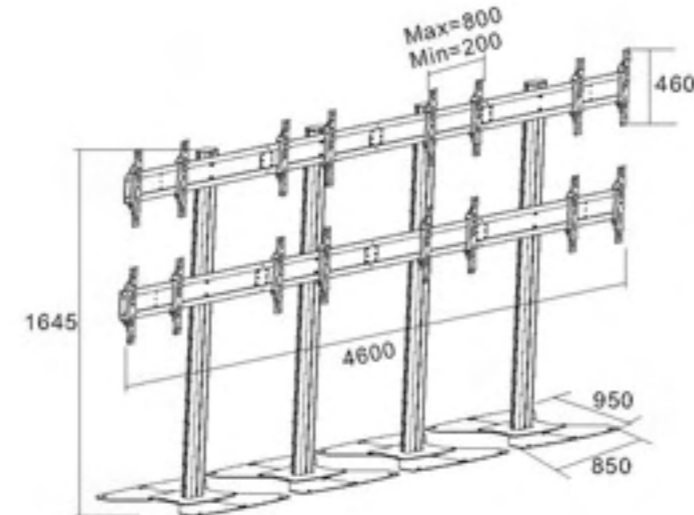


Cable Management

AW 800

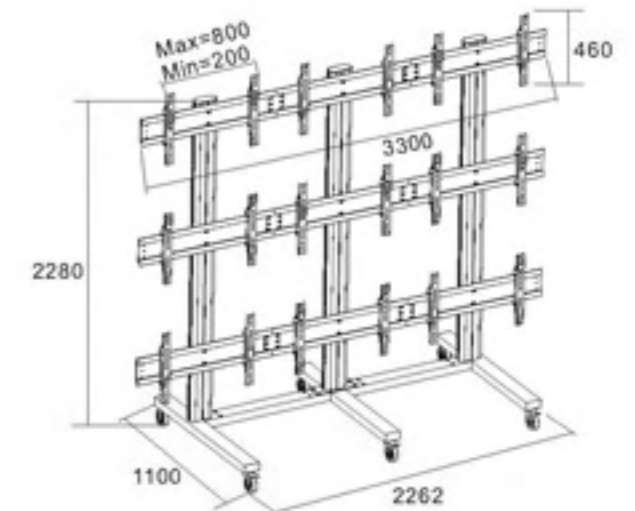


AW 800A

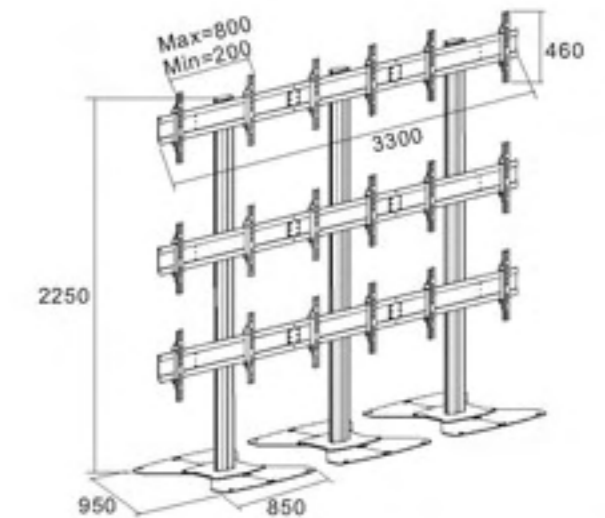


Model	Color	Material	Suggest Size	Loading Capacity	VESA Standard	Orientation	Power Rail	Cable Management
AW 800	Black or Silver	Alu. / Metal	30-55"	40kgs Per Mount	Max.800*400	Landscape	Built Into The Pillar	Yes
AW 800A								
AW 900								
AW 900A								

AW 900

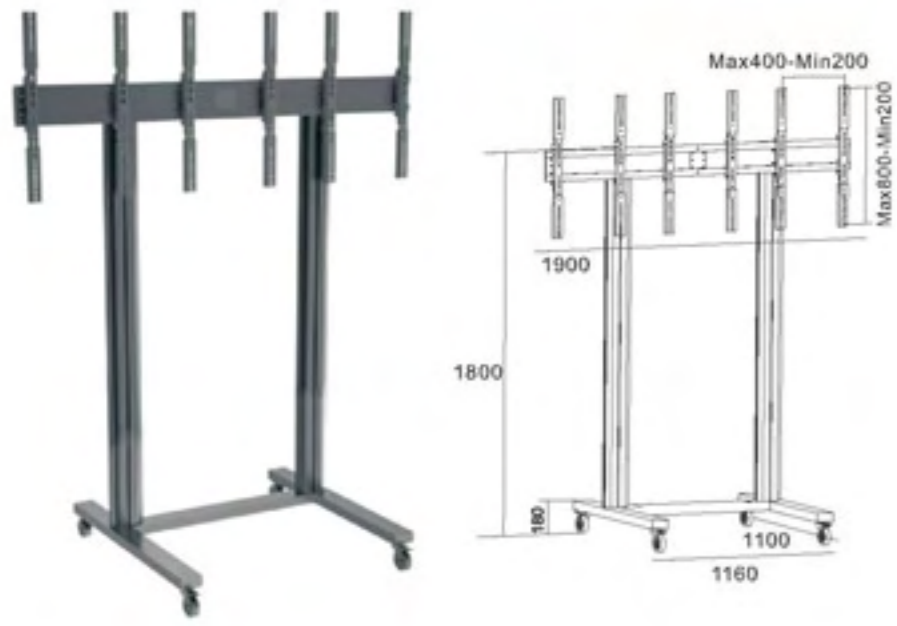


AW 900A

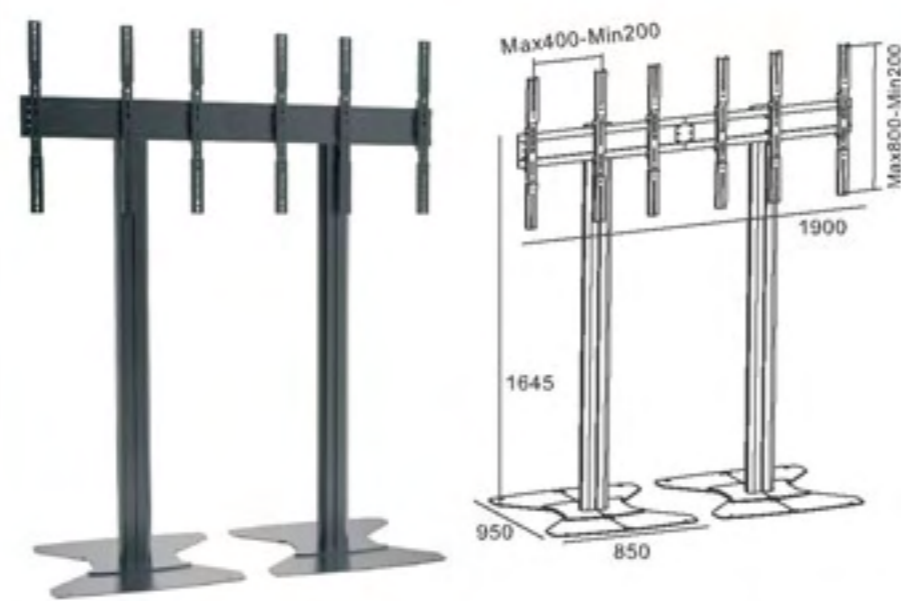




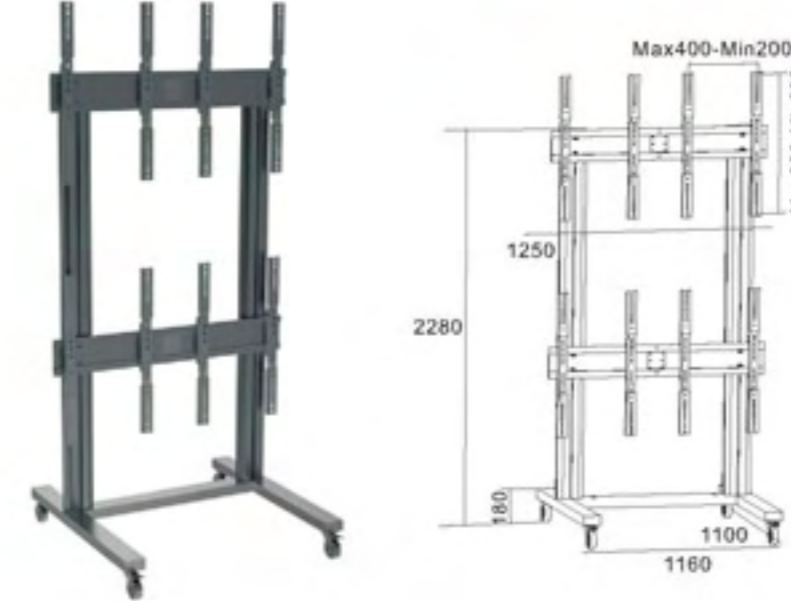
AWP 300



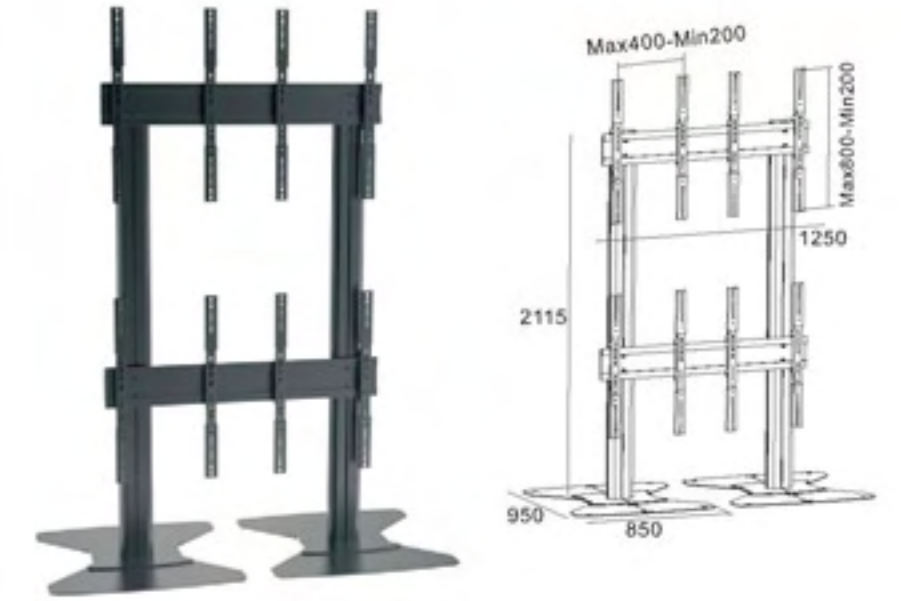
AWP 300A



AWP 400



AWP 400A



Depth Adjustment 15mm  
Height Adjustment 15mm



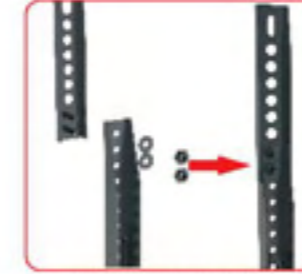
Locking System



Power Rail



Cable Management



Vertical VESA 800 Adapter

Model	Color	Material	Suggest Size	Loading Capacity	VESA Standard	Orientation	Power Rail	Cable Management
AWP 300	Black or Silver	Alu. / Metal	30-55"	40kgs Per Mount	Max.400*800	Portrait	Built Into The Pillar	Yes
AWP 300A								
AWP 400								
AWP 400A								



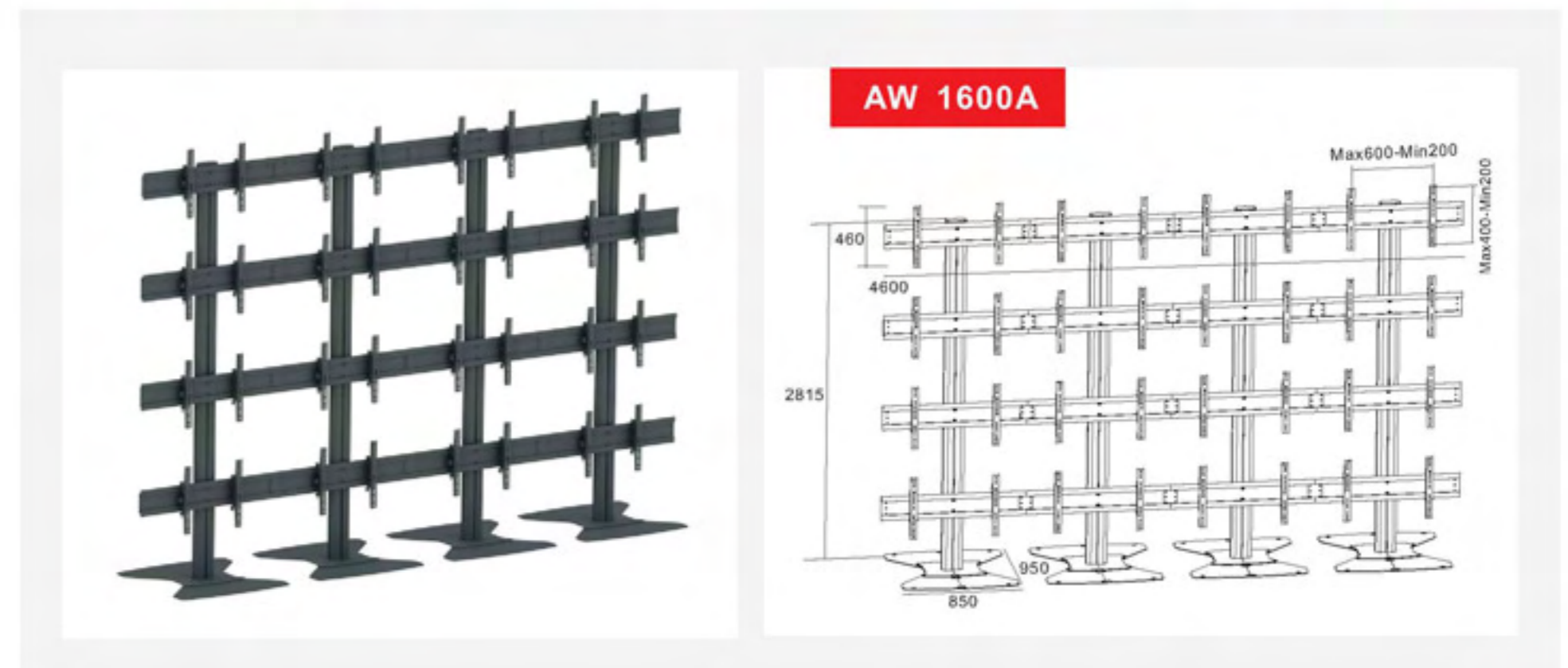




Model	Color	Material	Suggest Size	Loading Capacity	VESA Standard	Orientation	Power Rail	Cable Management
AWP 600	Black or Silver	Alu. / Metal	30-55 "	40kgs Per Mount	Max.400*800	Portrait	Built Into The Pillar	Yes
AWP 600A								



Model	Color	Material	Suggest Size	Loading Capacity	VESA Standard	Orientation	Power Rail	Cable Management
AW 1600A	Black or Silver	Alu. / Metal	30-55 "	40kgs Per Mount	Max.600*400	Portrait	Built Into The Pillar	Yes





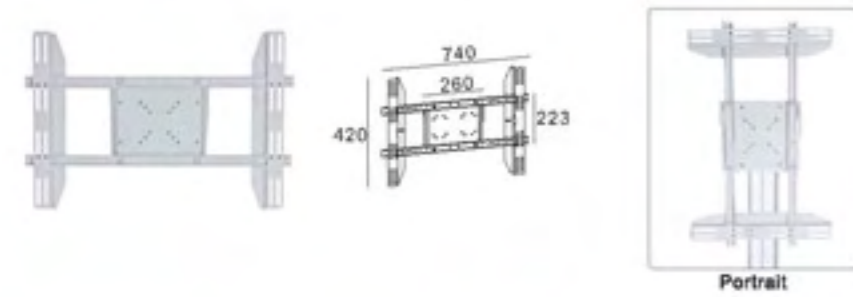
**Projector Mount**  
Wall or Ceiling Mount for Projector  
Arm Length Adjustable: 65-430mm

**PM 001**



**TV Bracket**  
Universal for Public Stand Series  
Color: Black or Silver  
Material: SPCC  
Orientation: Landscape / Portrait  
Quick release & Lock optional

**TVM 109**



**TV Bracket**  
Universal for Public Stand Series  
Color: Black or Silver  
Material: SPCC  
Orientation: Landscape / Portrait

**TVM 106**



**TV Bracket**  
Universal for Public Stand Series  
Material: SPCC  
Color: Black or Silver  
Orientation: Landscape

**TVM 202**



**TV Bracket**  
Universal for Public Stand Series  
Material: SPCC / Alu  
Color: Black or Silver  
Orientation: Landscape

**TVM 106B**



**Keyboard Tray**  
Color: Black / Silver / White  
Material: MDF / SPCC  
Height Adjustable  
Width Adjustable  
Universal for KF Carts

**KB 001**



**Codec or Printer Shelf**  
Universal for KF Products  
Material: MDF / SPCC  
Color: Black or Silver  
With Adjustable

**PRT 002**



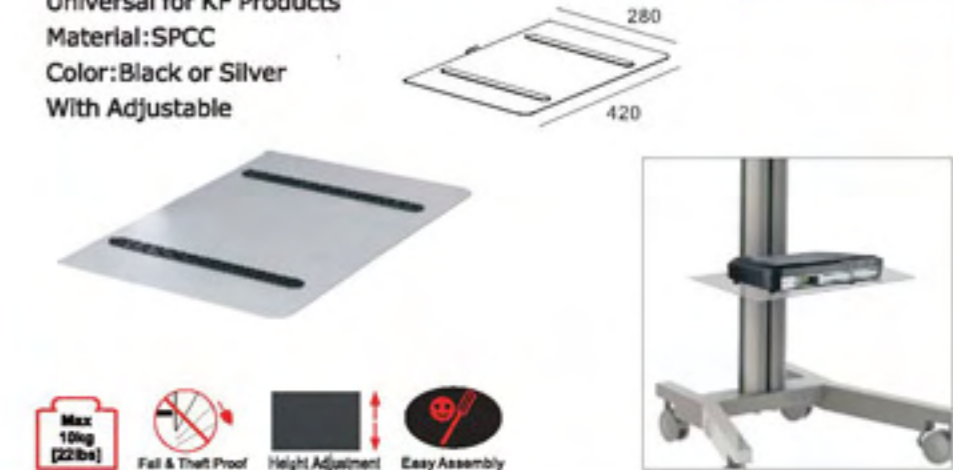
**Storage Box**  
Universal for KF Products  
Material: SPCC  
Color: Black or Silver

**STR 001**



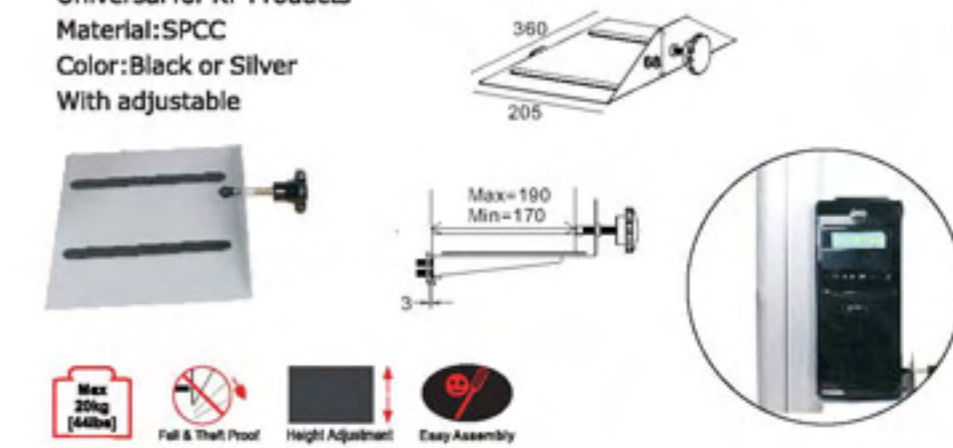
**Codec or Printer Shelf**  
Universal for KF Products  
Material: SPCC  
Color: Black or Silver  
With Adjustable

**PRT 001**



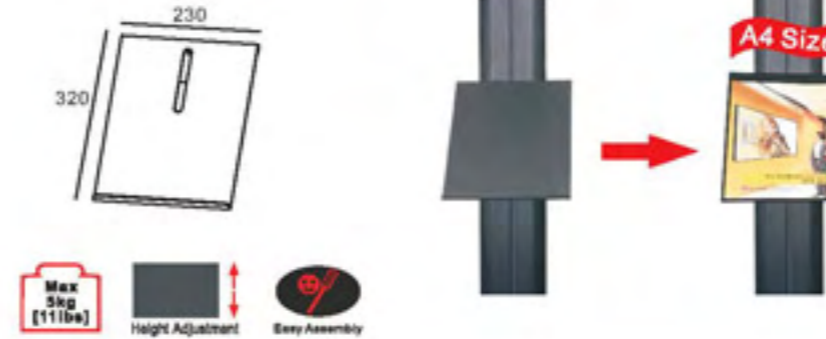
**CPU Holder**  
Universal for KF Products  
Material: SPCC  
Color: Black or Silver  
With adjustable

**CPU 001**



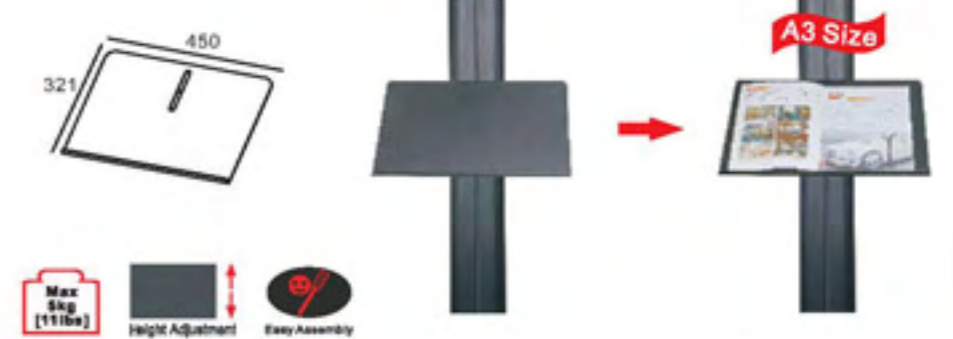
**A4 Document Shelf**  
Universal for KF Products  
Material: SPCC  
Color: Black or Silver

**DOC 001M**



**A3 Document Shelf**  
Universal for KF Products  
Material: SPCC  
Color: Black or Silver

**DOC 001L**





**Camera Holder** **CMR 001**

Universal for KF Products  
Color: Black or Silver  
Material: SPCC  
Cable Management

**Camera Holder Heavy Duty** **CMR 002**

Universal for KF Products  
Color: Black or Silver  
Material: SPCC  
Cable Management

**DVD Frontshelf** **DVD 001**

Universal for KF Products  
Material: SPCC  
Color: Black or Silver  
Cable Management

Max 3kg

Cable Management

Height Adjustment

Fall & Theft Proof

Easy Assembly

**Camera Holder Heavy Duty** **CMR 003**

Universal for KF Products  
Material: SPCC  
Color: Black or Silver  
Cable Management

Max 20kg (44lbs)

Cable Management

Screen Leveling

Height Adjustment

Fall & Theft Proof

Easy Assembly

**PC Mediabox / Digital Signage Box** **MBS 002**

Universal for KF Products  
Material: SPCC  
Color: Black or Silver  
Cable Management  
Wallmounted adapters included  
Door with lock

Press to unlock

Velcro Fixation

Cable Management

Max 20kg (44lbs)

Single Column Mounting

Double Column Mounting

**Media Box** **MB 001**

Universal for KF Products  
Material: SPCC / Plexi glass  
Color: Black or Silver  
Cable Management  
Plexiglass door for remote working  
Door with lock

**PC Mediabox / Digital Signage Box** **MBS 001**

Universal for KF Products  
Material: SPCC  
Color: Black or Silver  
Cable Management  
Wallmounted adapters included  
Door with lock

Outside size

Inside size

VESA:

50x50	75x75
100x100	200x100
200x200	300x200
300x300	400x200
400x400	

Max 20kg (44lbs)

Cable Management

Screen Leveling

Height Adjustment

Fall & Theft Proof

Easy Assembly

**Floor Base** **BS 100**

Universal for KF Products  
Material: Steel 5mm thickness  
Color: Black or Silver

**Floor Base** **BS 200**

Universal for KF Products  
Material: Steel 5mm thickness  
Color: Black or Silver

**Adjustable Feet** **ADF 001**

Universal for KF Carts  
Material: Rubber or Metal

**E Floormount Base** **E 001**

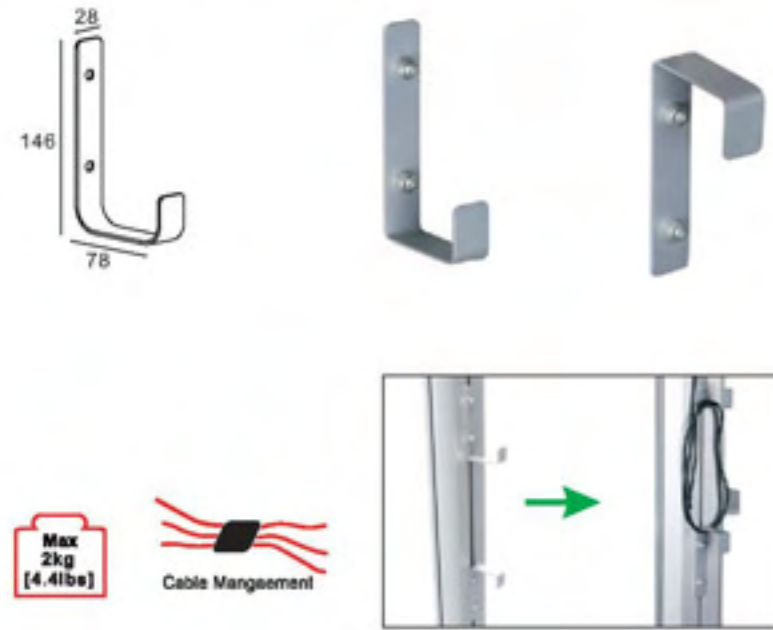
Color: Black / Silver / White



**Cable Hooks**

Universal for KF Products  
Material:SPCC  
Color:Black or Silver

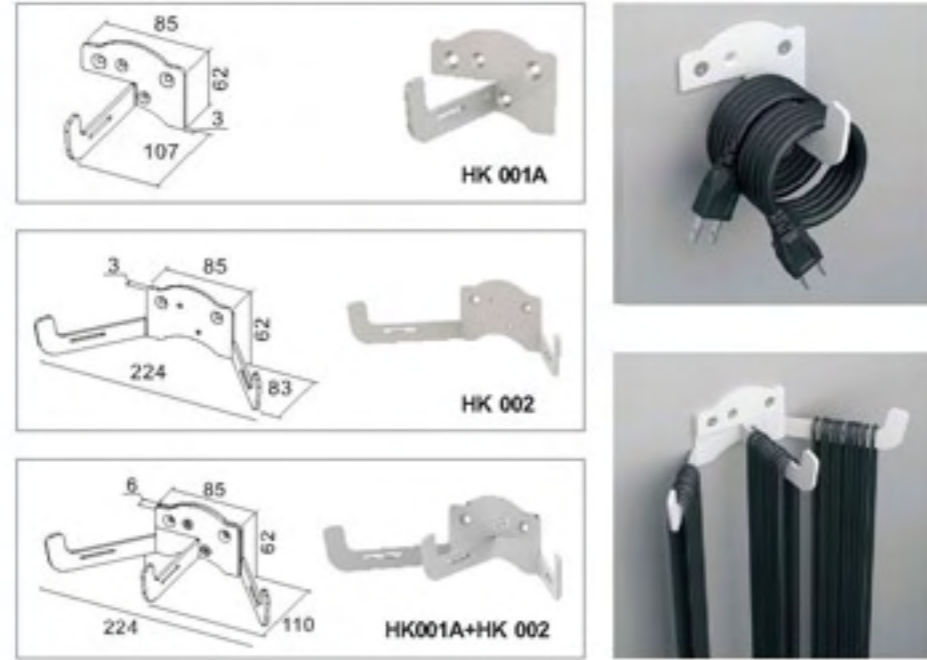
**HK 001**



**Cable Hooks**

Universal for KF Products  
Material:SPCC  
Color:Black or Silver

**HK 001A / HK 002**



**Flight Case**

Universal for KF Products  
Material:Alu / Wood / Foam  
W/Pull For Divided Pillar

**FC 001**



**Flight Case**

Universal for KF Products  
Material:Alu / Wood / Foam  
W/O Pull For Long Pillar

**FC 002**



**Handling Bar**

Universal for KF Carts  
Material:Alu.Casting

**HDL 001**



**Handling Bar**

Universal for KF Carts  
Material:SPCC

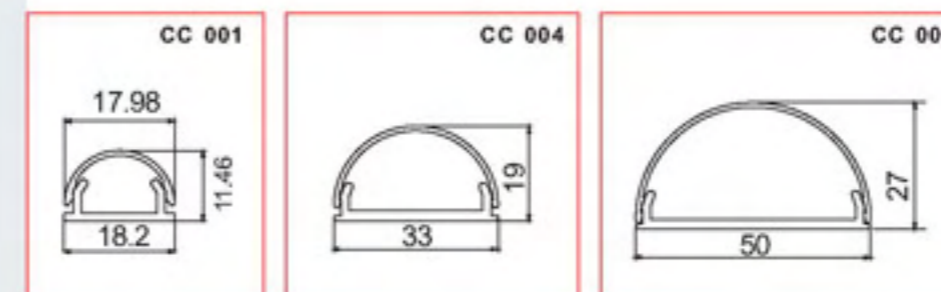
**HDL 002**



**Cable Cover**

Universal for KF Products  
Material: Alu.  
Color: Silver / Black / White  
Width: 18mm / 33mm / 50mm  
Length Optional: 700mm / 1100mm / 1600mm

**CC 001 / CC 004 / CC 003**



**Cable Cover**

Universal for KF Products  
Material: Alu.  
Color: Silver / Black / White  
Width: 75mm  
Length Optional: 700mm / 1100mm / 1600mm

**CC 002**

